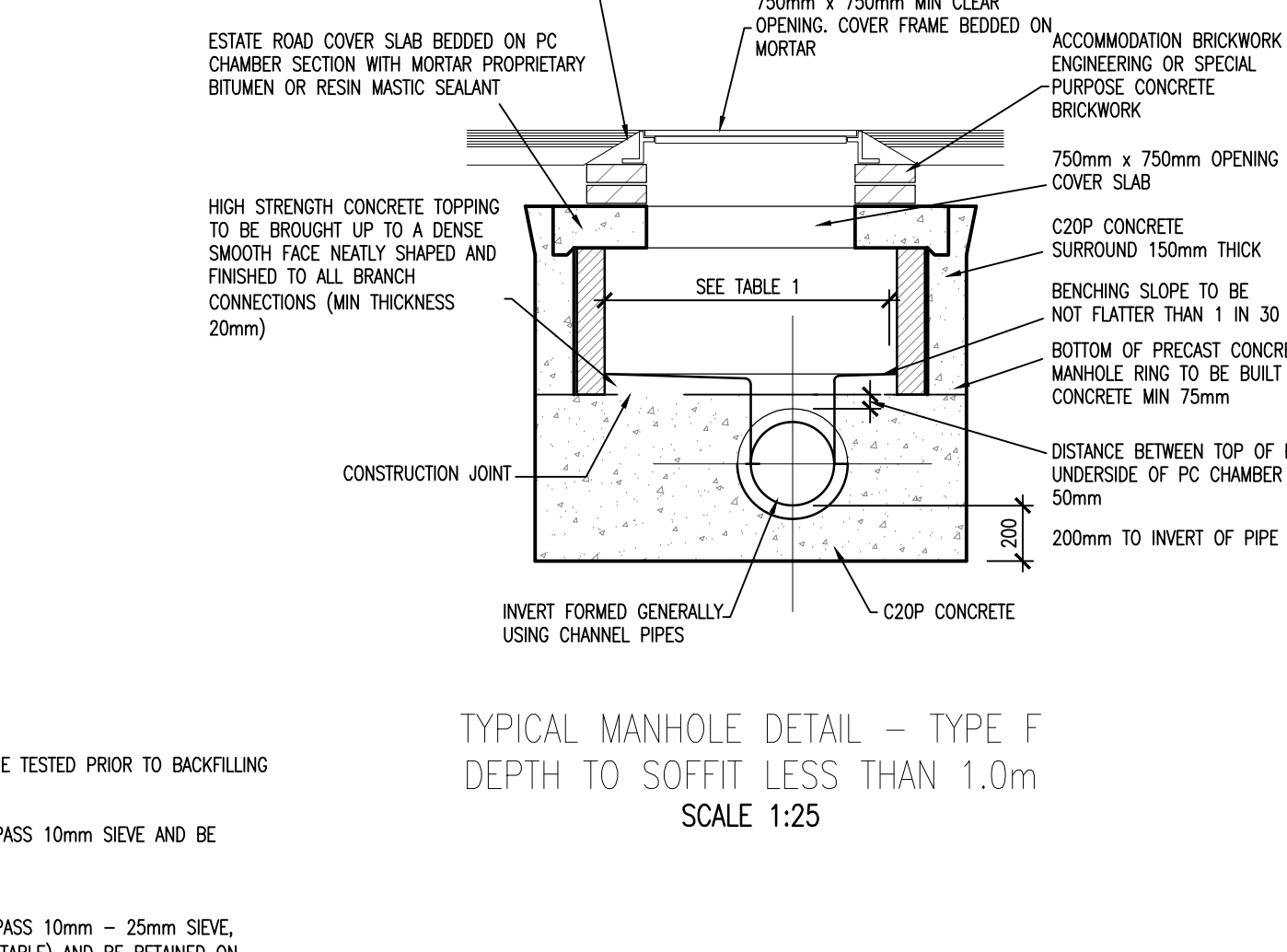
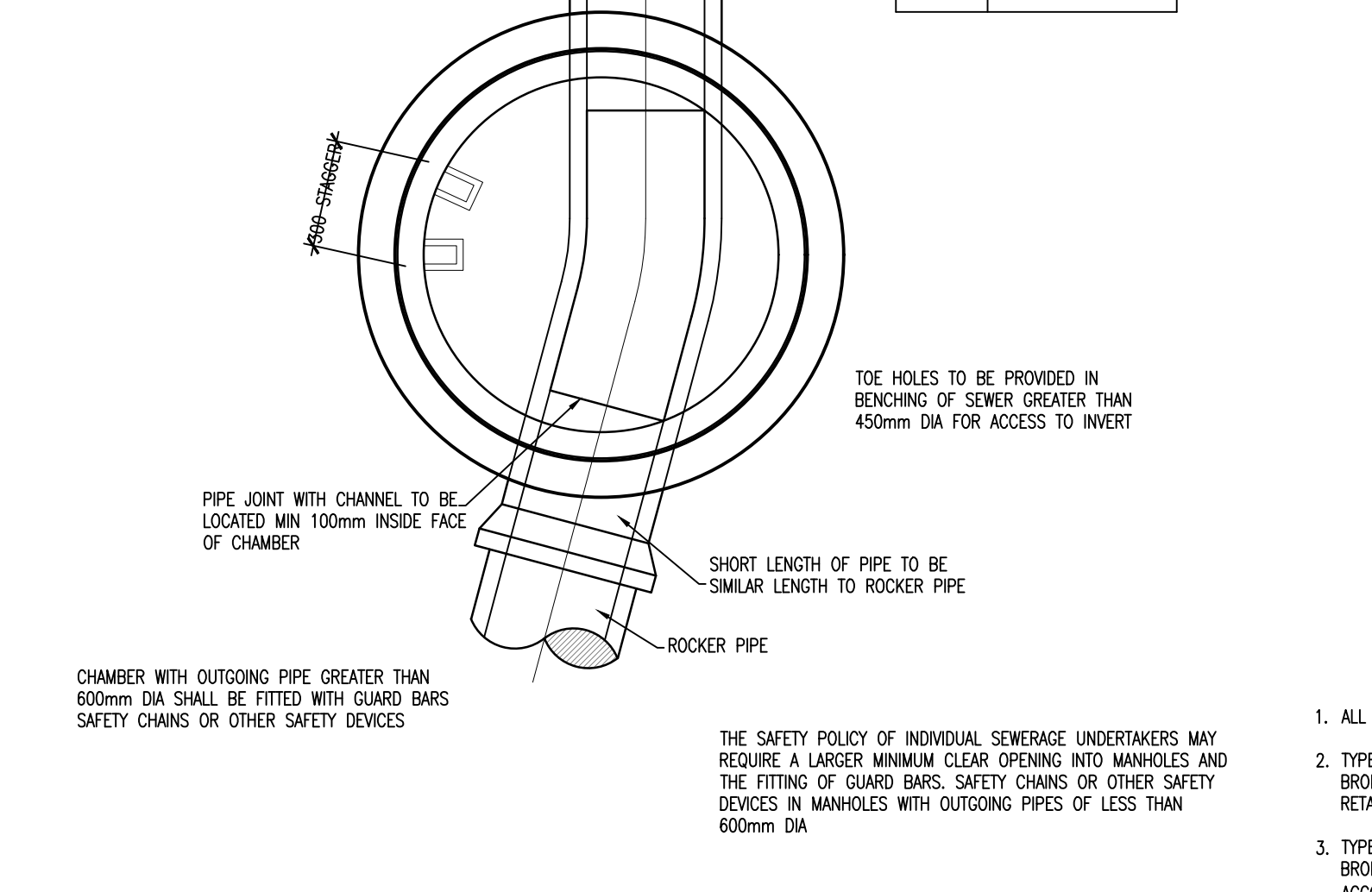
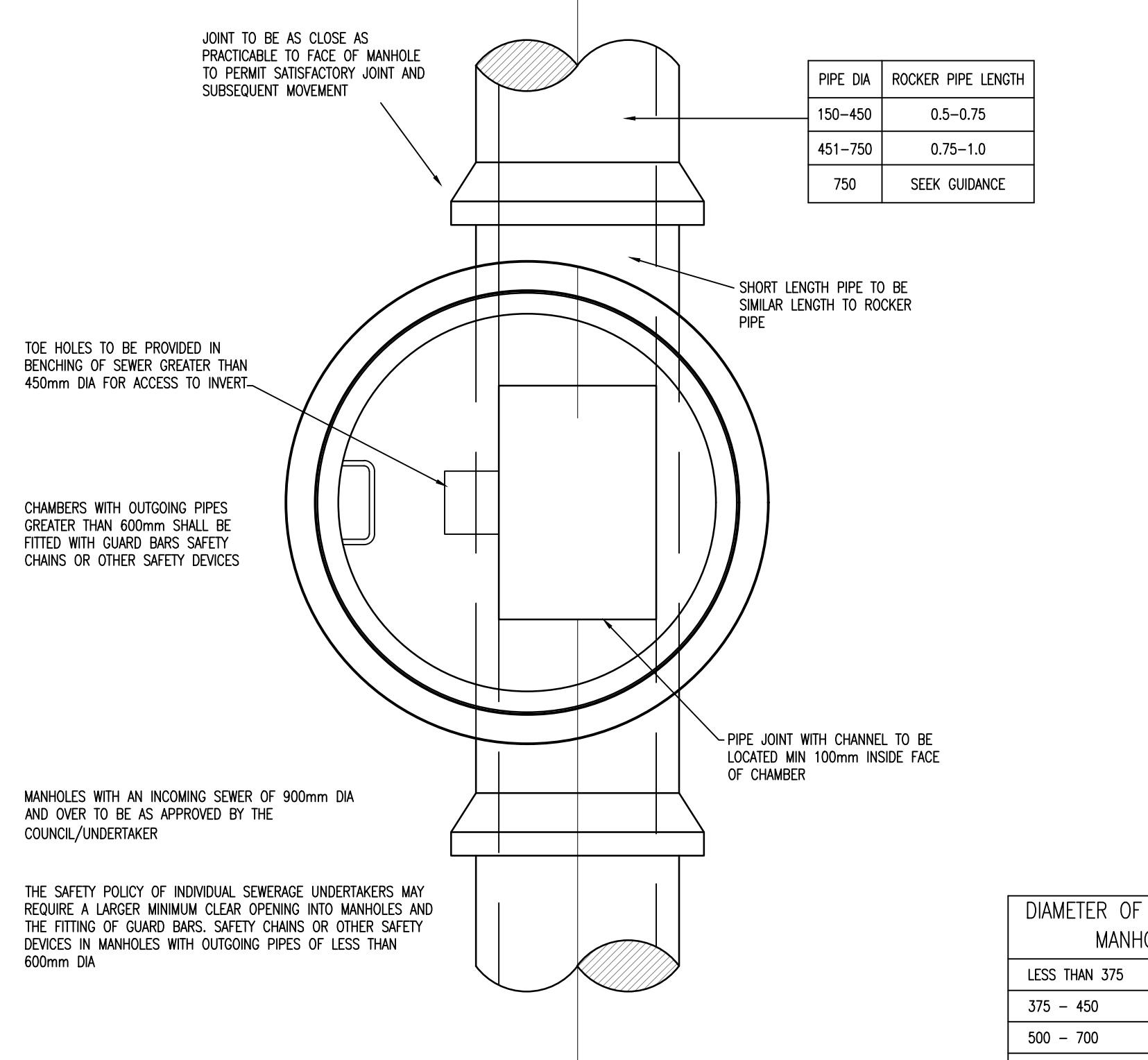
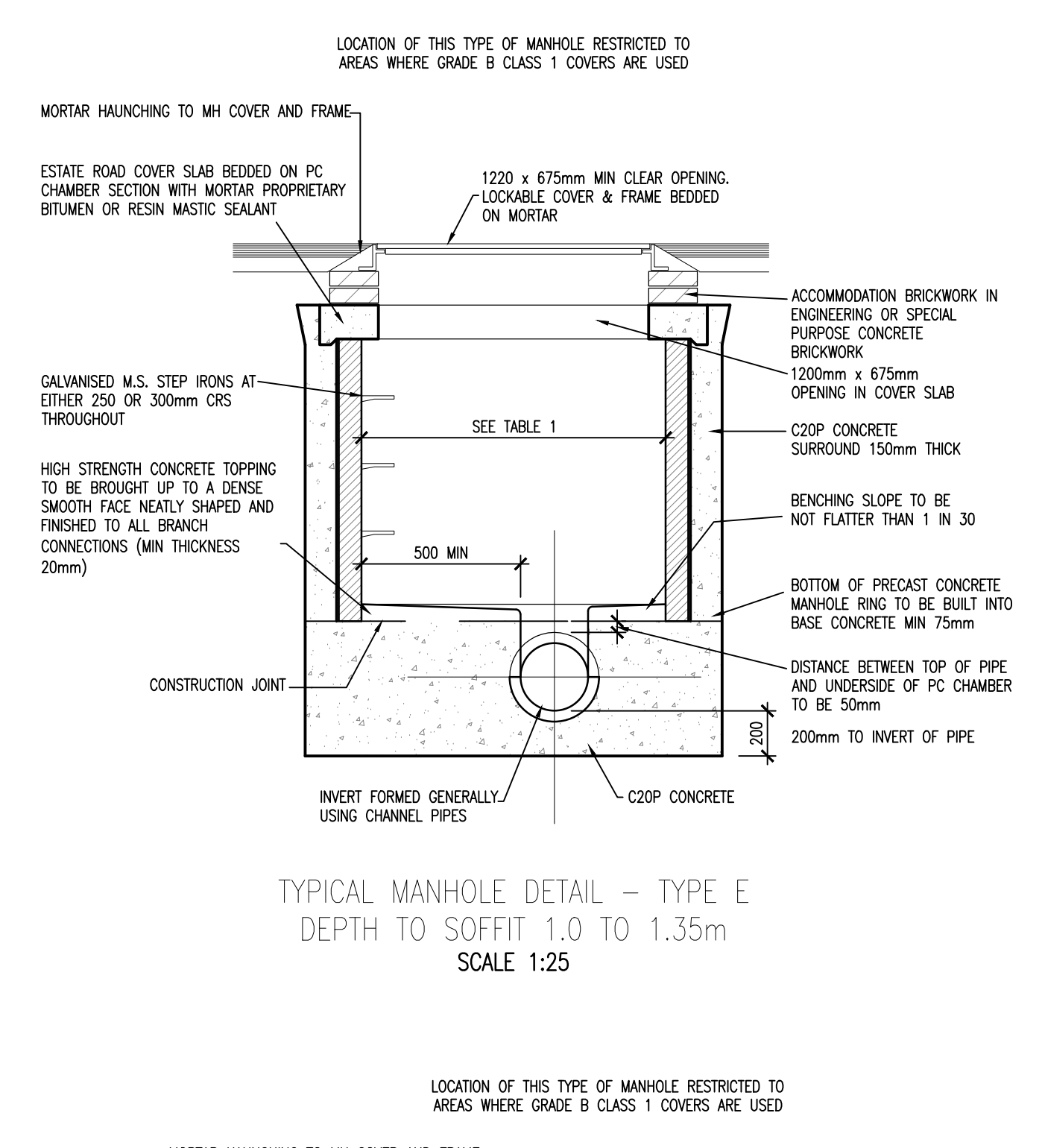
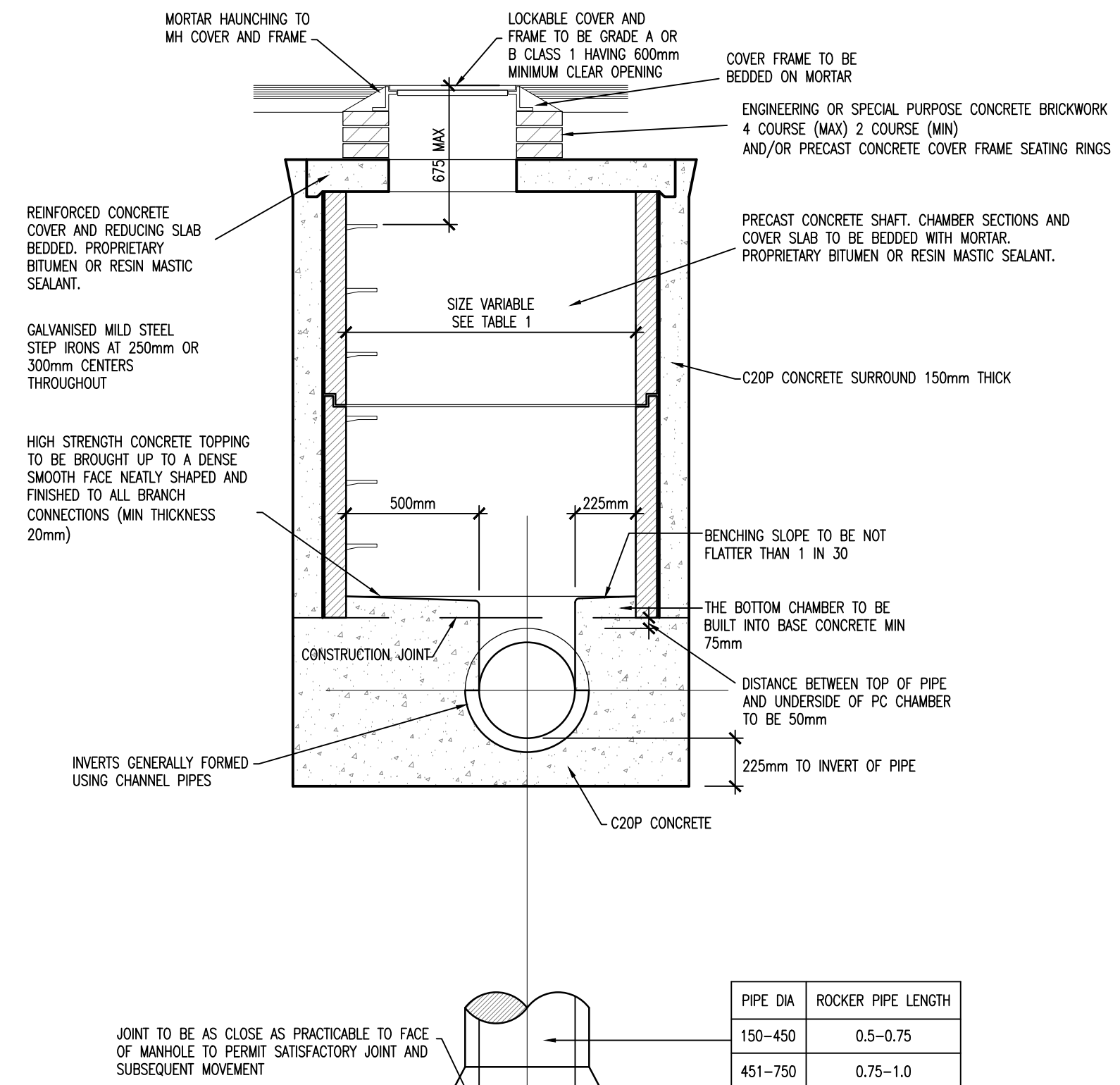
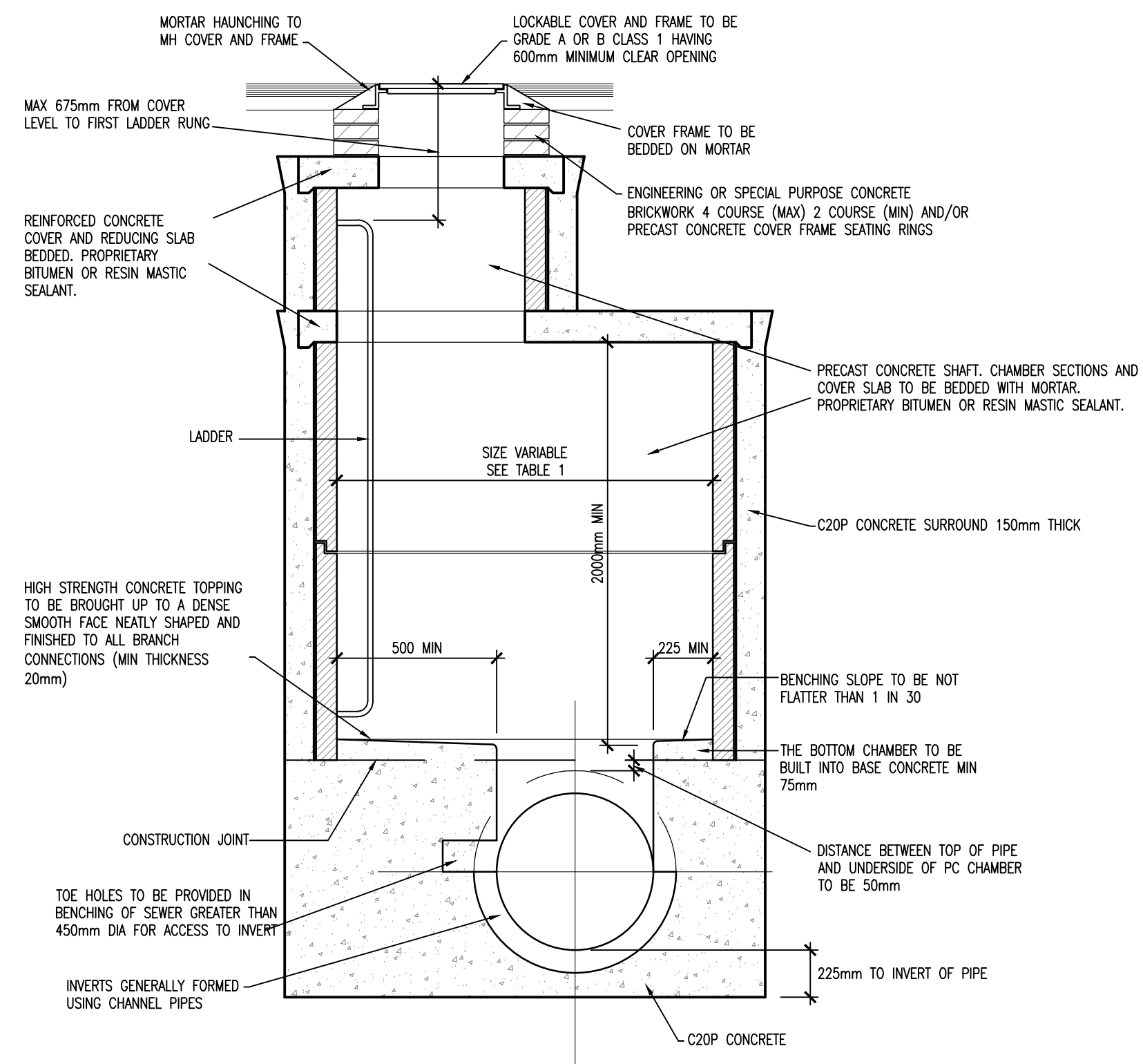


GENERAL NOTES:

- FOR STANDARD DOBA NOTES REFER TO DRAWING DUNMUR-DOB-XX-XX-DR-S00.1 & S00.2
- THIS DRAWING IS TO BE READ IN CONJUNCTION WITH ALL OTHER RELEVANT ARCHITECT'S & ENGINEER'S DRAWINGS AND SPECIFICATIONS.
- USE FIGURED DIMENSIONS ONLY. DO NOT SCALE
- ALL FFL AND SSL TO BE CONFIRMED BY ARCHITECT
- ALL DPC's, DPM's, RADON BARRIERS, INSULATION AND ALL WEATHERING DETAILS TO ARCHITECT'S DRAWINGS & SPECIFICATIONS
- THE CONTRACTOR SHALL VERIFY ALL DIMENSIONS AND LEVELS WITH ARCHITECTURAL DRAWINGS PRIOR TO START OF CONSTRUCTION. ANY DISCREPANCIES TO BE NOTIFIED TO THE ENGINEER & ARCHITECT FOR RESOLUTION
- ALL MANHOLE COVERS TO BE LOCKABLE

MANHOLE COVERS & DRAINAGE GRATINGS, LOAD CLASSIFICATION & PRODUCT MARKINGS

GROUP 1	MINIMUM CLASS A15	AREAS WHICH CAN ONLY BE USED BY PEDESTRIANS AND PEDAL CYCLISTS
GROUP 2	MINIMUM CLASS B125	FOOTWAYS, PEDESTRIAN AND COMPARABLE AREAS, CAR PARKS OR CAR PARKING DECKS
GROUP 3	MINIMUM CLASS B250	FOR GULLY TOPS INSTALLED IN THE AREA OF KERBSIDE CHANNELS OF ROADS WHICH WHEN MEASURED FROM THE ROAD EDGE, EXTEND A MAXIMUM OF 0.5m INTO THE CARRIAGEWAY AND A MAXIMUM OF 0.2m INTO THE FOOTWAY
GROUP 4	MINIMUM CLASS D400	CARRIAGEWAYS OF ROADS (INCLUDING PEDESTRIAN STREETS), HARD SHOULDERS AND PARKING AREAS, FOR ALL TYPES OF ROAD VEHICLES
GROUP 5	MINIMUM CLASS E600	AREAS IMPOSING HIGH WHEEL LOADS E.G. DOCKS, AIRCRAFT PAVEMENTS
GROUP 6	MINIMUM CLASS F900	AREAS IMPOSING PARTICULARLY HIGH WHEEL LOADS, E.G. AIRCRAFT PAVEMENTS

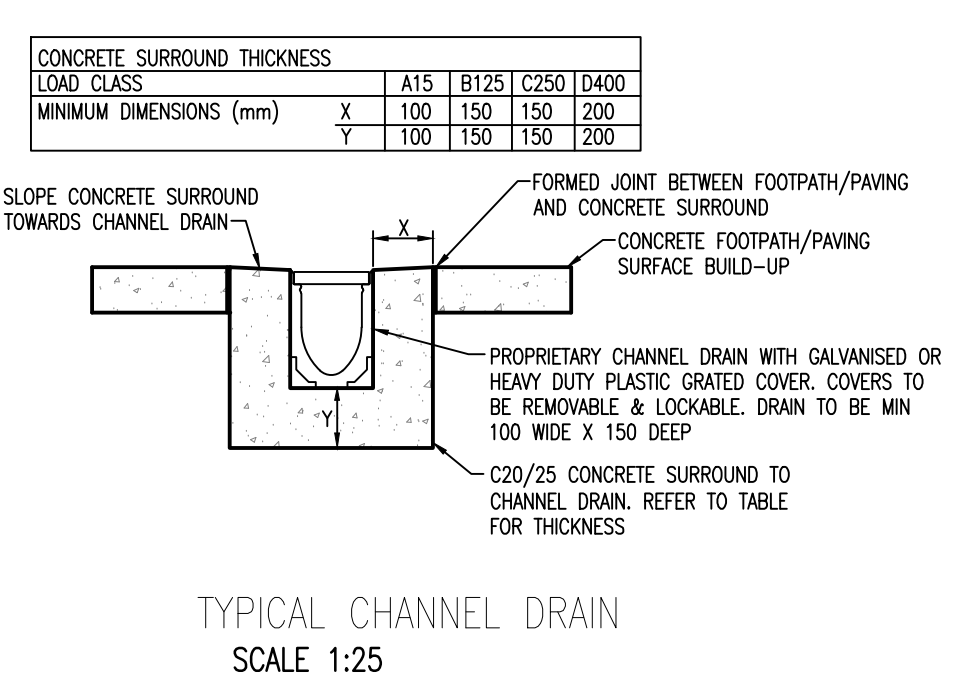
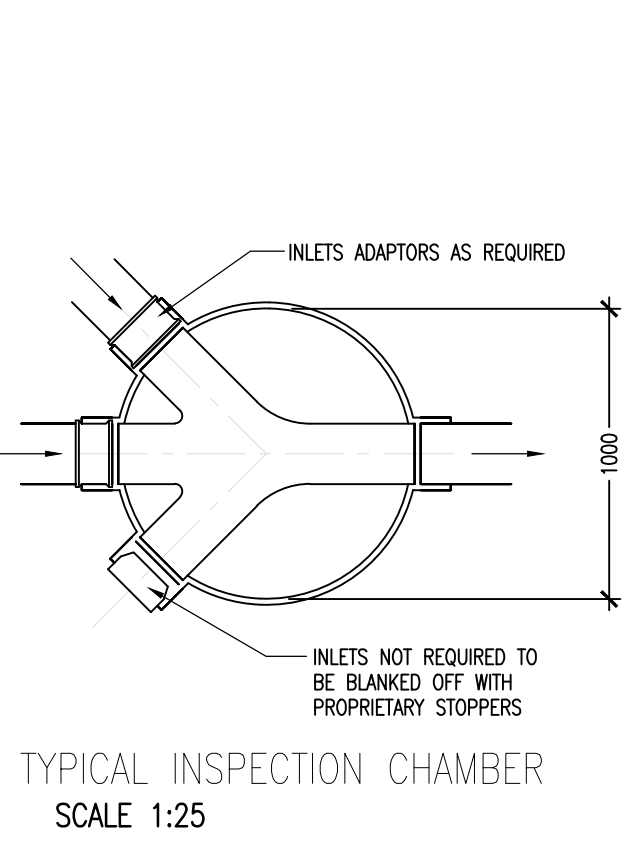


TYPICAL MANHOLE DETAIL - TYPE B
DEPTH TO SOFFIT 1.35 TO 3m
SCALE 1:25

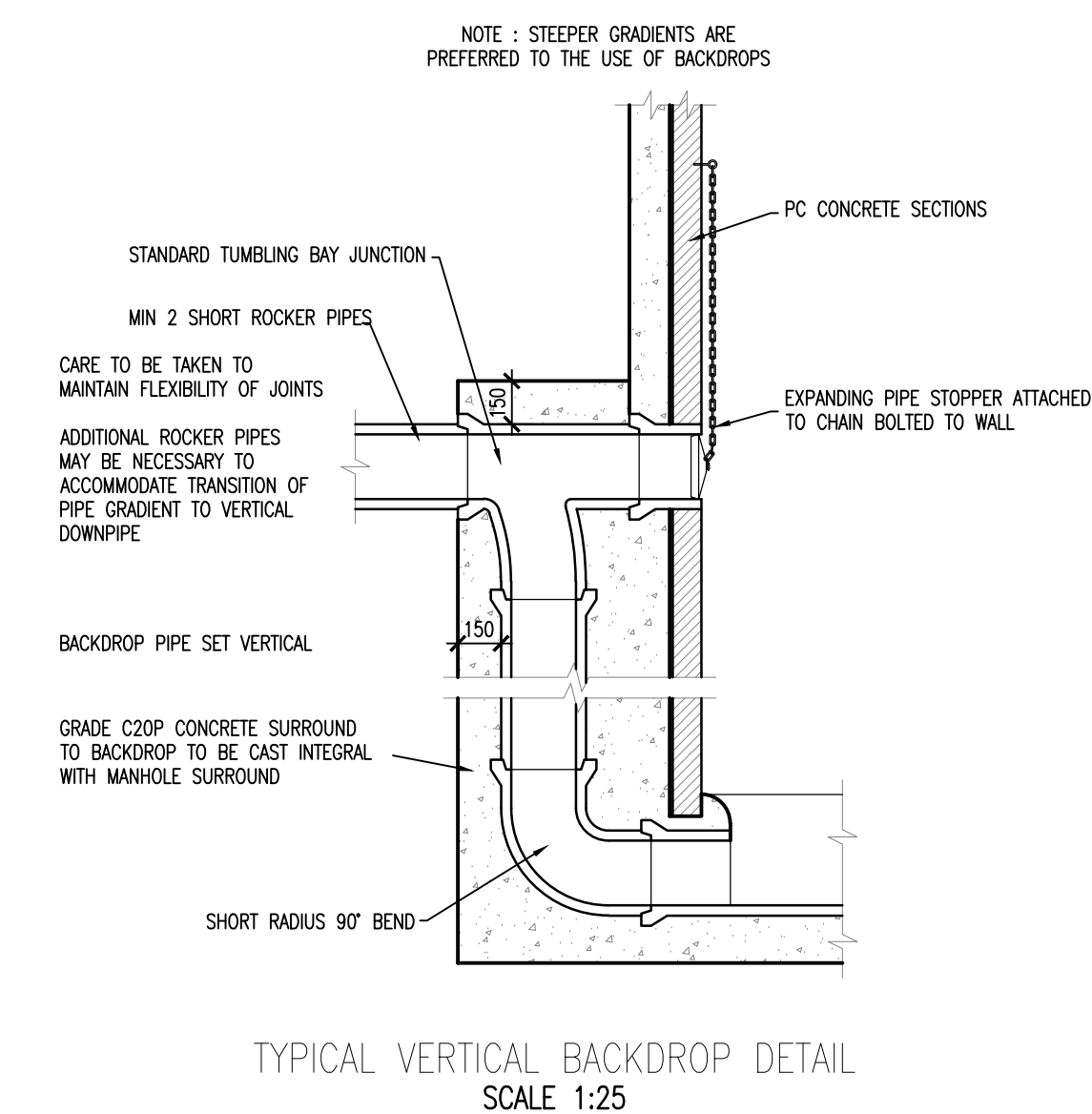
DIAMETER OF LARGEST PIPE IN MANHOLE (mm)	CHAMBER SECTION DIAMETER (mm)
LESS THAN 375	1200 (1050 WHERE DEPTH TO SOFFIT IS 1.35m - 1.5m)
375 - 450	1350
500 - 700	1500
750 - 900	1800

PIPE SIZE	100% PASSING
UP TO 225mm	10mm SIEVE
225 TO 450mm	20mm SIEVE
ABOVE 450mm	25mm SIEVE

TABLE 1



- ALL SEWERS SHALL BE PRESSURE TESTED PRIOR TO BACKFILLING
- TYPE 1 GRANULAR MATERIAL : BROKEN STONE OR GRAVEL TO PASS 10mm SIEVE AND BE RETAINED ON 5mm SIEVE.
- TYPE 2 GRANULAR MATERIAL : BROKEN STONE OR GRAVEL TO PASS 10mm - 25mm SIEVE, ACCORDING TO PIPE SIZE, (SEE TABLE) AND BE RETAINED ON 5mm SIEVE.
- TYPE 3 SELECTED FILL : UNIFORM READILY COMPACTED MATERIAL FREE FROM TREE ROOTS, VEGETABLE MATTER, BUILDING DEBRIS, AND FROZEN SOIL AND EXCLUDING CLAY LUMPS RETAINED ON A 75mm SIEVE AND STONES RETAINED ON A 37.5mm SIEVE.
- RIGID PIPES SHALL MEAN CAST OR SPUN IRON, CONCRETE OR CLAY.



ISSUED FOR PLANNING

Rev.	Note	Date	Drawn	Check
S2.P02	ISSUED FOR PLANNING	22.02.2019	KD	PD
S2.P01	ISSUED FOR INFORMATION	05.11.2018	KD	PD

DONNACHADH O'BRIEN & ASSOCIATES CONSULTING ENGINEERS

UNIT 5C
ELM HOUSE
MILLENNIUM PARK
NAAS
CO. KILDARE

PHONE: +353 45 984 042
INFO@DOBRIEN-ENGINEERS.IE
WWW.DOBRIEN-ENGINEERS.IE

Client: **KILDARE COUNTY COUNCIL**
Comhairle Chontae Chill Dara
MR. JOE BOLAND, DIRECTOR OF SERVICES
WATER SERVICES & ENVIRONMENT

Project: **PROPOSED CIVIC AMENITY CENTRE & WASTE TRANSFER FACILITY AT KILMACREDDOCK UPPER, CASTLETOWN, CELBRIDGE, Co. KILDARE**

Drawing Title: **PROPOSED TYPICAL DRAINAGE & MANHOLE DETAILS**

Drawn By: KD | Checked By: PD | Approved By: DOB | Date: AUG' 2017 | Scale: 1:25 | Sheet Size: A1

Project Number: DOBA1701 | Drawing Number: CIVAMY-DOB-XX-SI-DR-C-0100 | Status Code: S2 | Rev Number: P02