

NOTE:



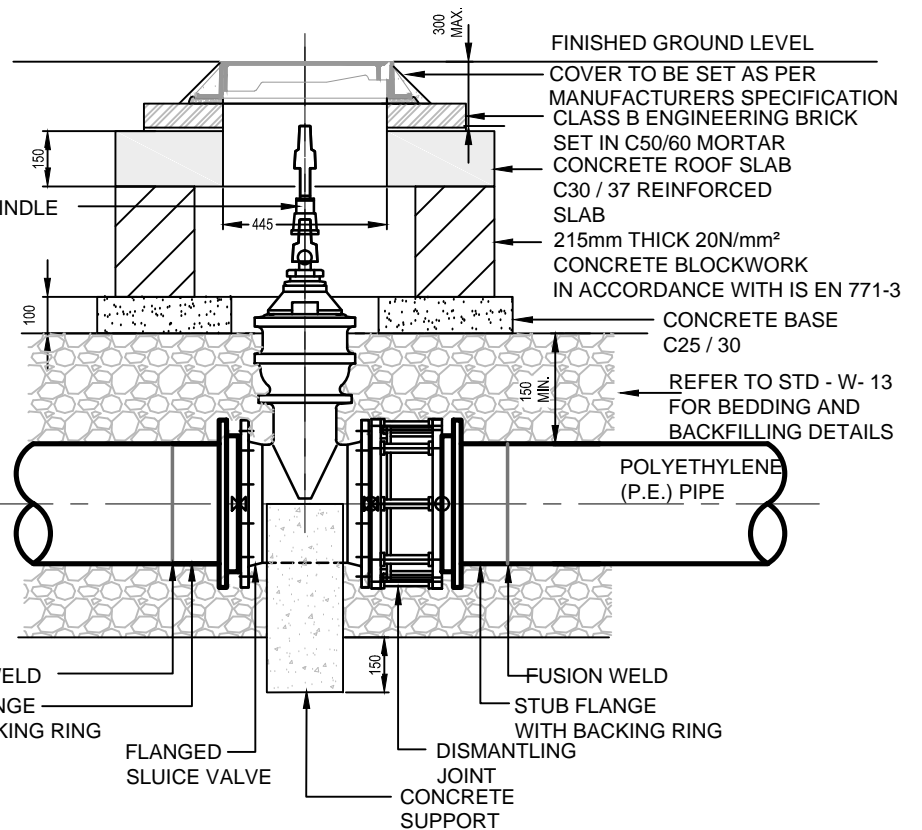
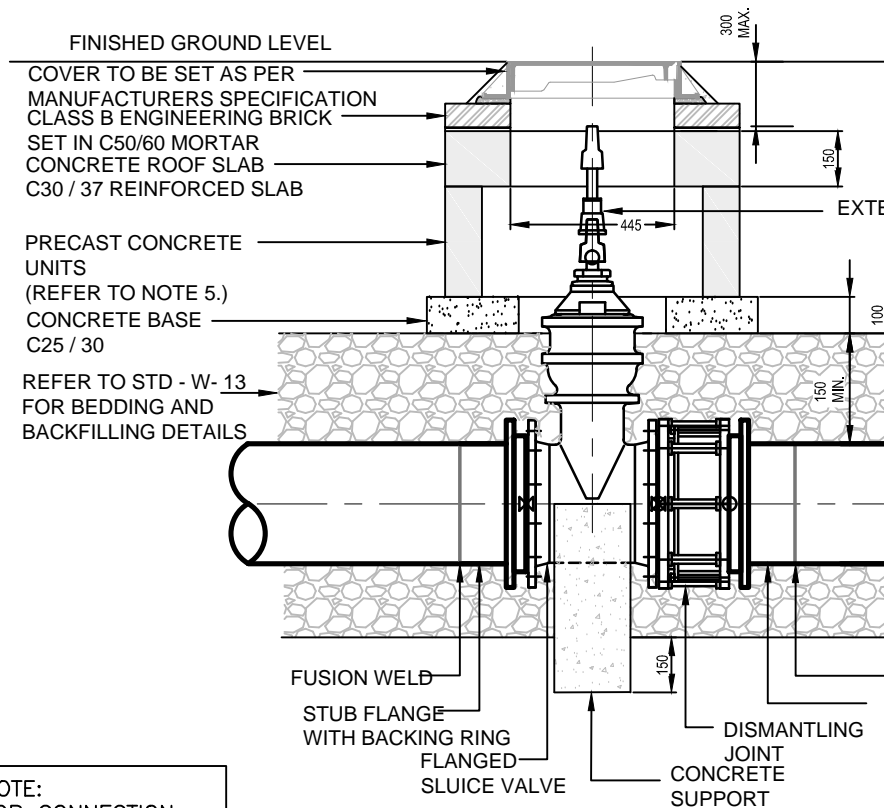
HATCH INDICATES STRUCTURAL CONCRETE

NO PART OF THIS DRAWING MAY BE REPRODUCED OR TRANSMITTED IN ANY FORM OR STORED IN ANY RETRIEVAL SYSTEM OF ANY NATURE, WITHOUT THE WRITTEN PERMISSION OF MALONE O'REGAN CONSULTING ENGINEERS AS COPYRIGHT HOLDER EXCEPT AS AGREED FOR USE ON THE PROJECT FOR WHICH THE DRAWING WAS ORIGINALLY ISSUED.

A. THIS DRAWING SHALL BE READ IN CONJUNCTION WITH ALL RELEVANT ENGINEERS, ARCHITECTS AND SPECIALISTS DRAWINGS.
 B. ALL DIMENSIONS IN mm UNLESS NOTED.
 C. DO NOT SCALE DIMENSIONS.
 D. THE CONTRACTOR SHALL CHECK ALL DIMENSIONS PRIOR TO COMMENCEMENT OF CONSTRUCTION. DISCREPANCIES SHALL BE REPORTED TO THIS OFFICE IN WRITING.

LOCAL AUTHORITY / COUNTY COUNCIL GUIDELINES FOR THE DESIGN AND CONSTRUCTION OF HOUSING MANUAL TO TAKE PRECEDENCE WHERE ANY CONFLICT OCCURS.

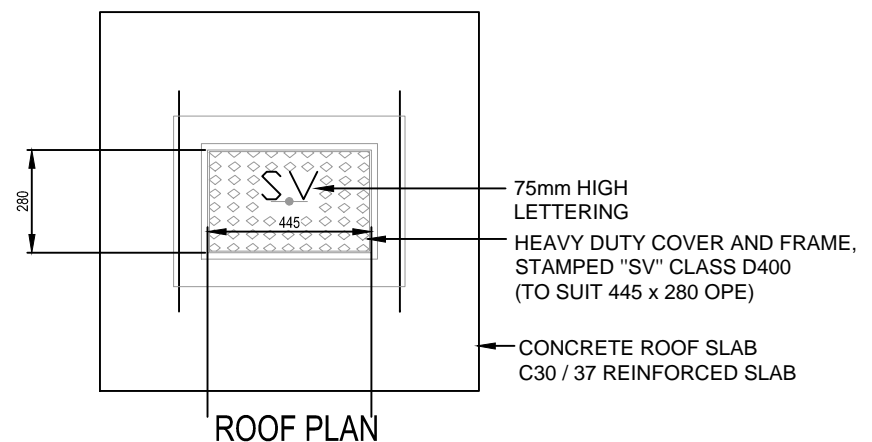
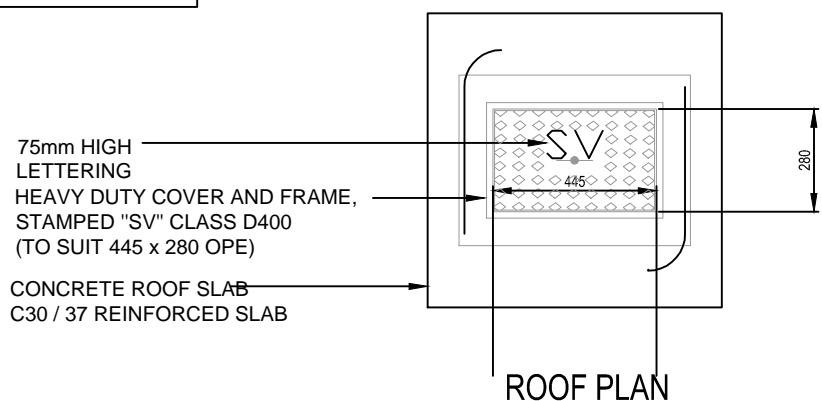
PLINTH DETAIL IN GRASS AREA



NOTE:
FOR CONNECTION USING DUCTILE IRON PIPE WORK REFER TO IRISH WATER DETAIL STD-W-14

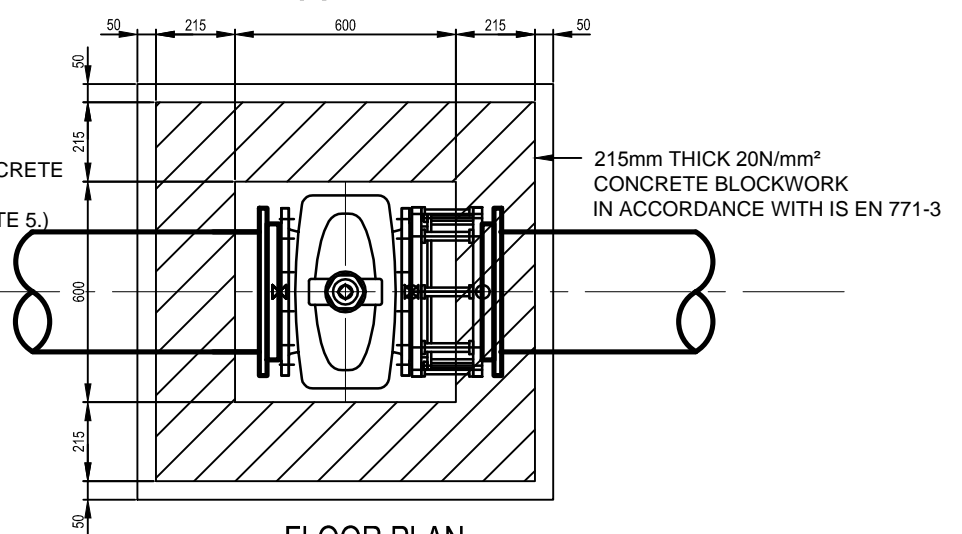
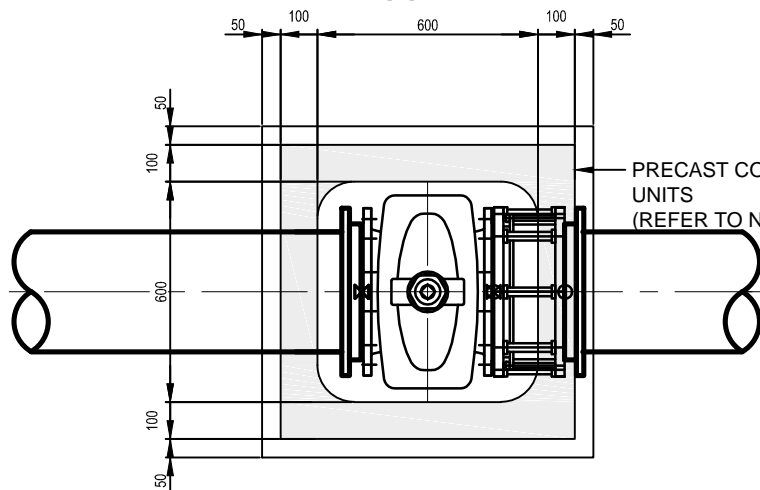
SECTION

SECTION



ROOF PLAN

ROOF PLAN



FLOOR PLAN

FLOOR PLAN

SLUCE VALVE CHAMBER (PRECAST CONCRETE CONSTRUCTION)

SLUCE VALVE CHAMBER (BLOCKWORK CONSTRUCTION)

- ALL DIMENSIONS IN MILLIMETRES (MM) UNLESS NOTED OTHERWISE.
- SLUCE VALVE CHAMBERS SHALL BE COVERED WITH APPROVED HEAVY DUTY COVER AND FRAME SHALL BE SUITABLE FOR ROAD AND TRAFFIC CONDITIONS AND IS SUBJECT TO THE APPROVAL OF IRISH WATER.
- SLUCE VALVES SHALL BE DOUBLE FLANGED WITH DUCTILE IRON RESILIENT SEAL GATE VALVES, SUITABLE FOR USE IN WATER MAINS. THEY SHALL COMPLY WITH THE REQUIREMENTS OF IS EN 1074 AND THEY SHALL HAVE THE BS KITEMARK.
- ALL SLUCE VALVES SHALL BE ANTI-CLOCKWISE CLOSING.
- CONCRETE CHAMBERS SHALL BE SURROUNDED BY A MINIMUM OF 150MM COMPACTED CLAUSE 804 MATERIAL AS PER STD-W-13.

REV	DESCRIPTION	DATE	DRWN BY	CHKD BY
P	ISSUED FOR PLANNING	12.02.18	KD	ROD

MALONE O'REGAN CONSULTING ENGINEERS

2B Richview Office Park, Clonskeagh, DUBLIN 14.
 Tel: +353 1 260 2655 Fax: +353 1 260 2660 Email: info@morcoe.ie

St. Catherine's House, Catherine Street WATERFORD
 Tel: +353 51 876 855 Fax: +353 51 876 828 Email: info@waterford.morcoe.ie

CLIENT NAME KILDARE COUNTY COUNCIL	DRAWING NAME SITE DEVELOPMENT DETAILS SHEET 7 WATERMAIN DETAILS 4
JOB NAME PROPOSED RESIDENTIAL DEVELOPMENT AT NANCY'S LANE CLANE, CO. KILDARE	JOB NUMBER SHB2-CLA-CS-MOR-DR-126
DWG NO P	REVISION P
SHEET SIZE A3	SCALE 1:20
DATE FEB'18	DRAWN BY KD
ENGINEER ROD	

DON'T SCALE DIMENSIONS

DON'T FORGET SAFETY