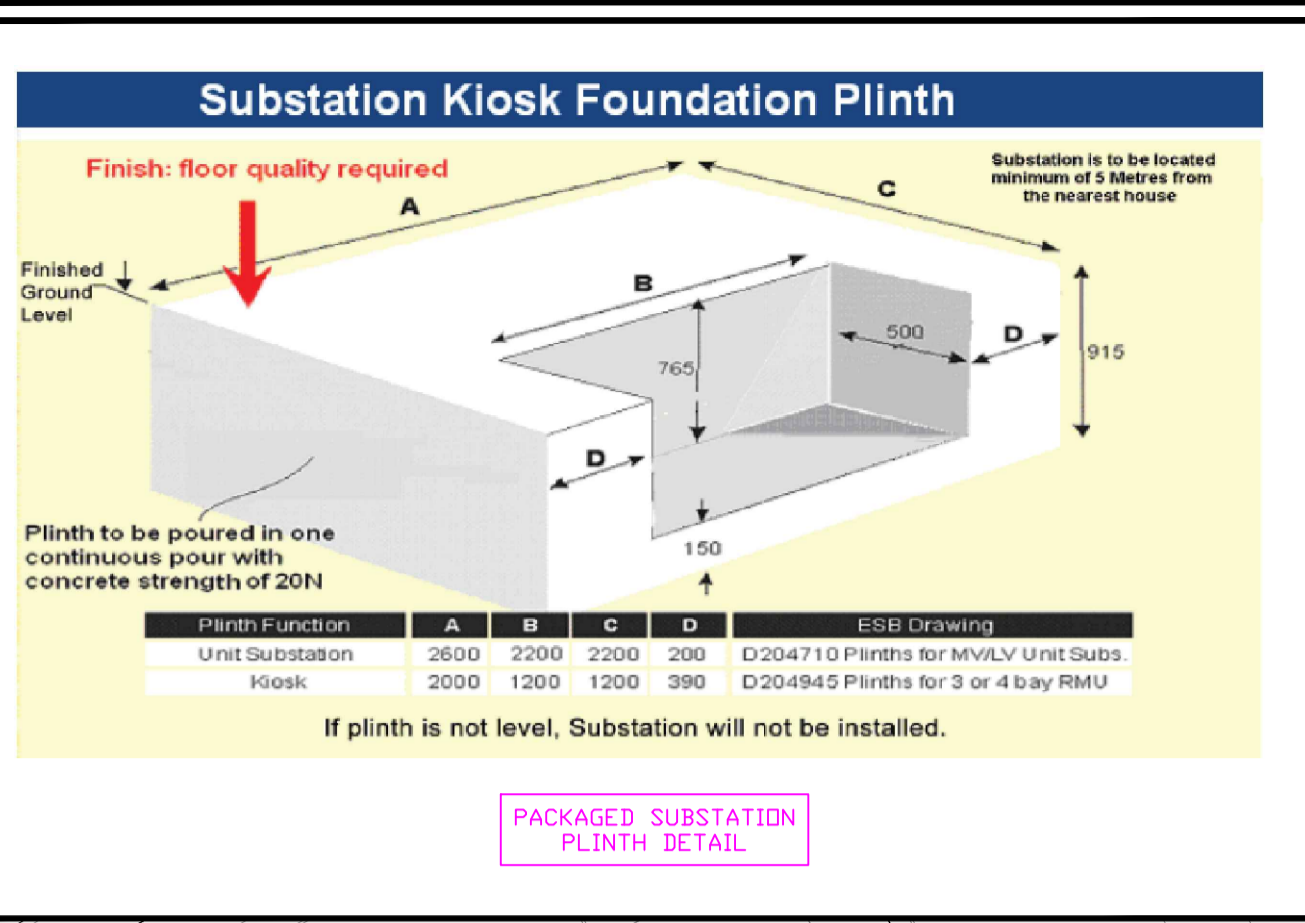
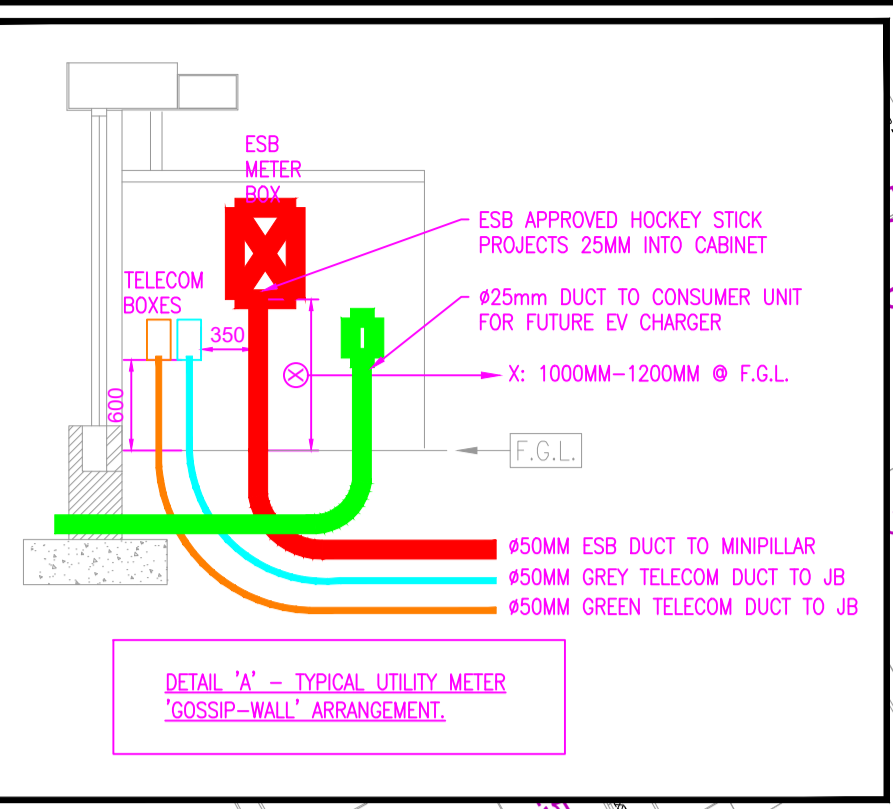


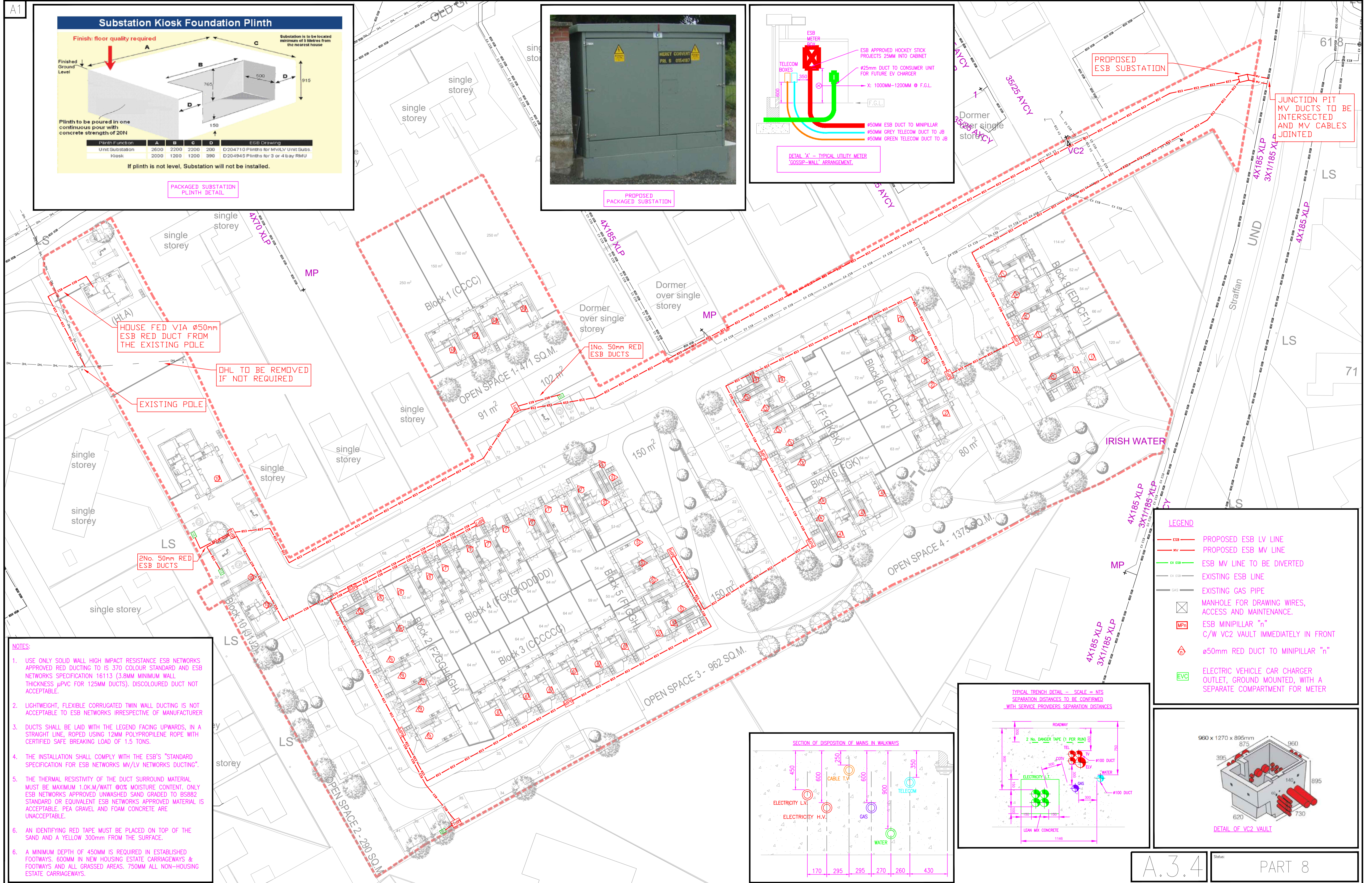
A1



PACKAGED SUBSTATION PLINTH DETAIL



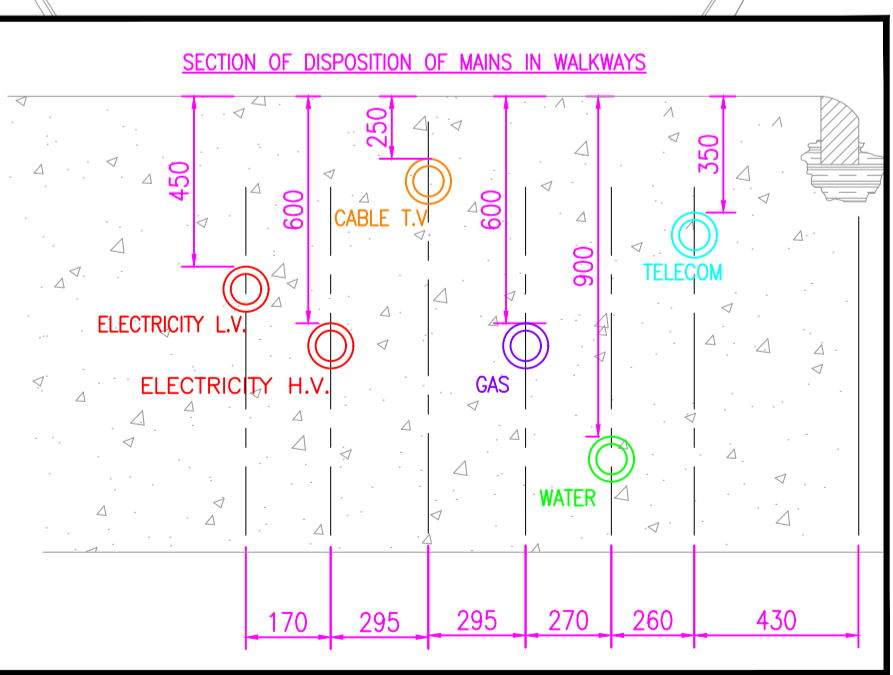
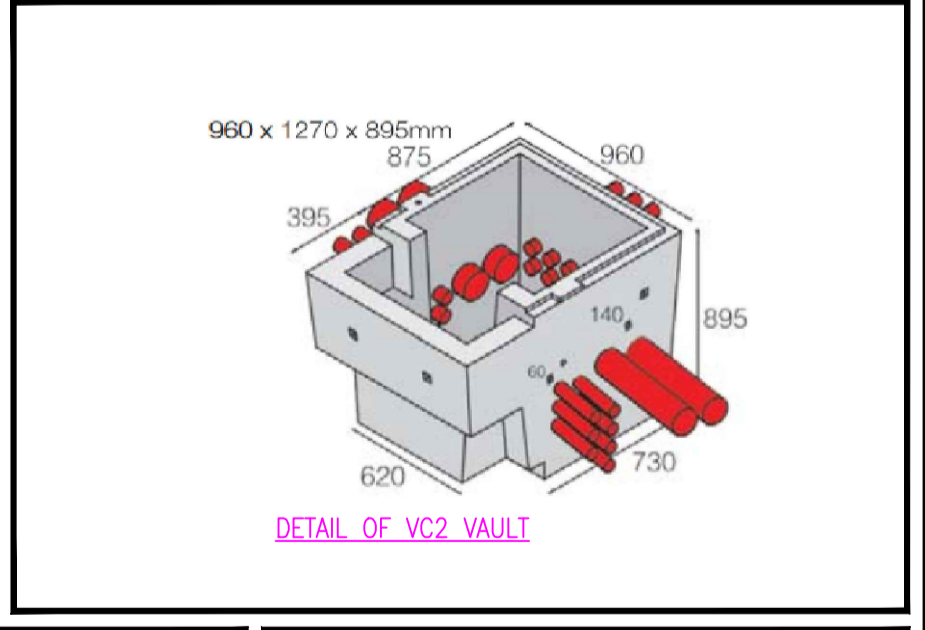
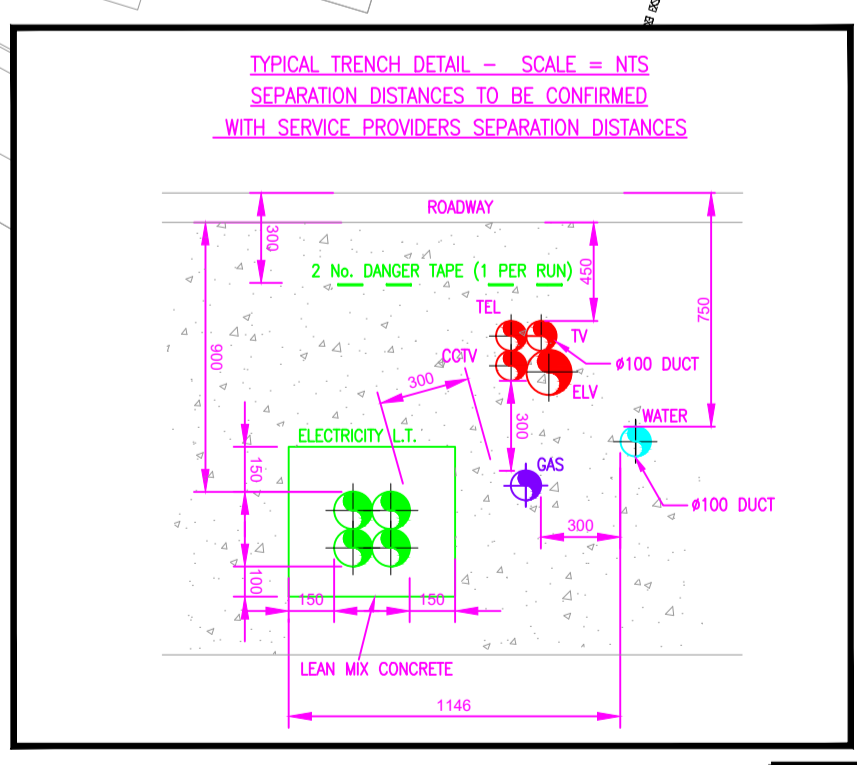
PROPOSED PACKAGED SUBSTATION



LEGEND

- ESB - PROPOSED ESB LV LINE
- MV - PROPOSED ESB MV LINE
- ESB MV LINE TO BE DIVERTED
- EX ESB - EXISTING ESB LINE
- GAS - EXISTING GAS PIPE
- MANHOLE FOR DRAWING WIRES, ACCESS AND MAINTENANCE.
- MPn - ESB MINIPILLAR "n" C/W VC2 VAULT IMMEDIATELY IN FRONT
- Ø50mm RED DUCT TO MINIPILLAR "n"
- EVC - ELECTRIC VEHICLE CAR CHARGER OUTLET, GROUND MOUNTED, WITH A SEPARATE COMPARTMENT FOR METER

- #### NOTES:
- USE ONLY SOLID WALL HIGH IMPACT RESISTANCE ESB NETWORKS APPROVED RED DUCTING TO IS 370 COLOUR STANDARD AND ESB NETWORKS SPECIFICATION 16113 (3.8MM MINIMUM WALL THICKNESS µPVC FOR 125MM DUCTS). DISCOLOURED DUCT NOT ACCEPTABLE.
 - LIGHTWEIGHT, FLEXIBLE CORRUGATED TWIN WALL DUCTING IS NOT ACCEPTABLE TO ESB NETWORKS IRRESPECTIVE OF MANUFACTURER
 - DUCTS SHALL BE LAID WITH THE LEGEND FACING UPWARDS, IN A STRAIGHT LINE, ROPED USING 12MM POLYPROPYLENE ROPE WITH CERTIFIED SAFE BREAKING LOAD OF 1.5 TONS.
 - THE INSTALLATION SHALL COMPLY WITH THE ESB'S "STANDARD SPECIFICATION FOR ESB NETWORKS MV/LV NETWORKS DUCTING".
 - THE THERMAL RESISTIVITY OF THE DUCT SURROUND MATERIAL MUST BE MAXIMUM 1.0K.M/WATT @0% MOISTURE CONTENT. ONLY ESB NETWORKS APPROVED UNWASHED SAND GRADED TO BS882 STANDARD OR EQUIVALENT ESB NETWORKS APPROVED MATERIAL IS ACCEPTABLE. PEA GRAVEL AND FOAM CONCRETE ARE UNACCEPTABLE.
 - AN IDENTIFYING RED TAPE MUST BE PLACED ON TOP OF THE SAND AND A YELLOW 300MM FROM THE SURFACE.
 - A MINIMUM DEPTH OF 450MM IS REQUIRED IN ESTABLISHED FOOTWAYS. 600MM IN NEW HOUSING ESTATE CARRIAGEWAYS & FOOTWAYS AND ALL GRASSED AREAS. 750MM ALL NON-HOUSING ESTATE CARRIAGEWAYS.



Issue register

Rev.	Date	Description	Dwn.	Chkd.	Appvd.
IP1	19/10/21	PLANNING	HP	BC	AW
IP2	15/02/22	PART 8	HP	BC	BC
IP3	07/04/22	PART 8	HP	BC	BC
IP4	12/05/22	PART 8	HP	BC	BC
IP5	01/11/22	PART 8	HP	BC	BC
IP6	03/11/22	PART 8	HP	BC	BC

- #### NOTES:
- THIS DRAWING TO BE READ IN CONJUNCTION WITH ALL RELEVANT ARCHITECTS, C&S ENGINEERS DRAWINGS & SPECIFICATIONS.
 - ALL WORKS TO BE CARRIED OUT IN ACCORDANCE WITH THE RELEVANT BUILDING REGULATIONS.
 - DO NOT SCALE - WORK TO FIGURE DIMENSIONS ONLY.

Referenced drawings

Dwg No.	Dwg Title

IHEEM
Qualitas Veritas
ISO 9001-2015
cpd ENGINEERS IRELAND
ACCREDITED COMPANY

Drawing Title: ESB SITE SERVICES LAYOUT
Date: 18/10/21
Scale: 1:400@A1 (1:800@A3)
Drawn By: H.P.
Checked By: B.C.
Approved By: A.W.

Client: KILDARE COUNTY COUNCIL
Job Description: GREENFIELDS MAYNOOTH, Co. KILDARE
Project No: 21ME001
Drawing Ref: ME-1000(A)
Rev: P6

Hayes Higgins Partnership
Gas House Lane, Kilkenny.
E-mail: info@hayeshiggins.com
(056) 7764710 (056) 7723223

© HAYES HIGGINS PARTNERSHIP

COPY FILE: 21ME001-ME-1000.dwg