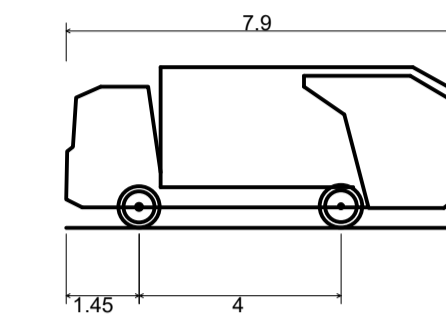
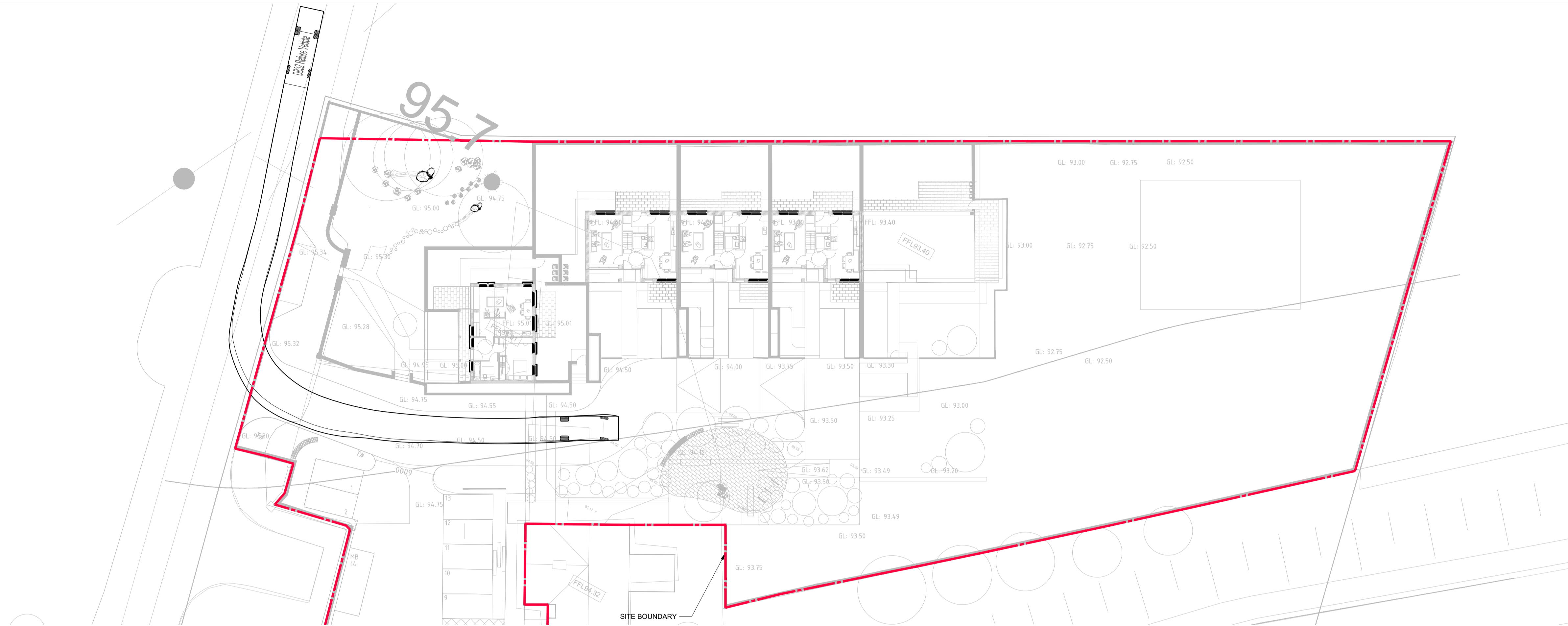


REVISION SCHEDULE					
REV. NO.	REV. DESCRIPTION	REV. DATE	DRAWN	CHECKED	
WIP1	WORK IN PROGRESS	09/11/2023	BF	KOM	
WIP2	WORK IN PROGRESS-BACKGROUND UPDATED	15/12/2023	BF	KOM	
PL1	ISSUED FOR PLANNING	12/04/2024	FC	KOM	
PL2	ISSUED FOR PLANNING	24/05/2024	FC	KOM	

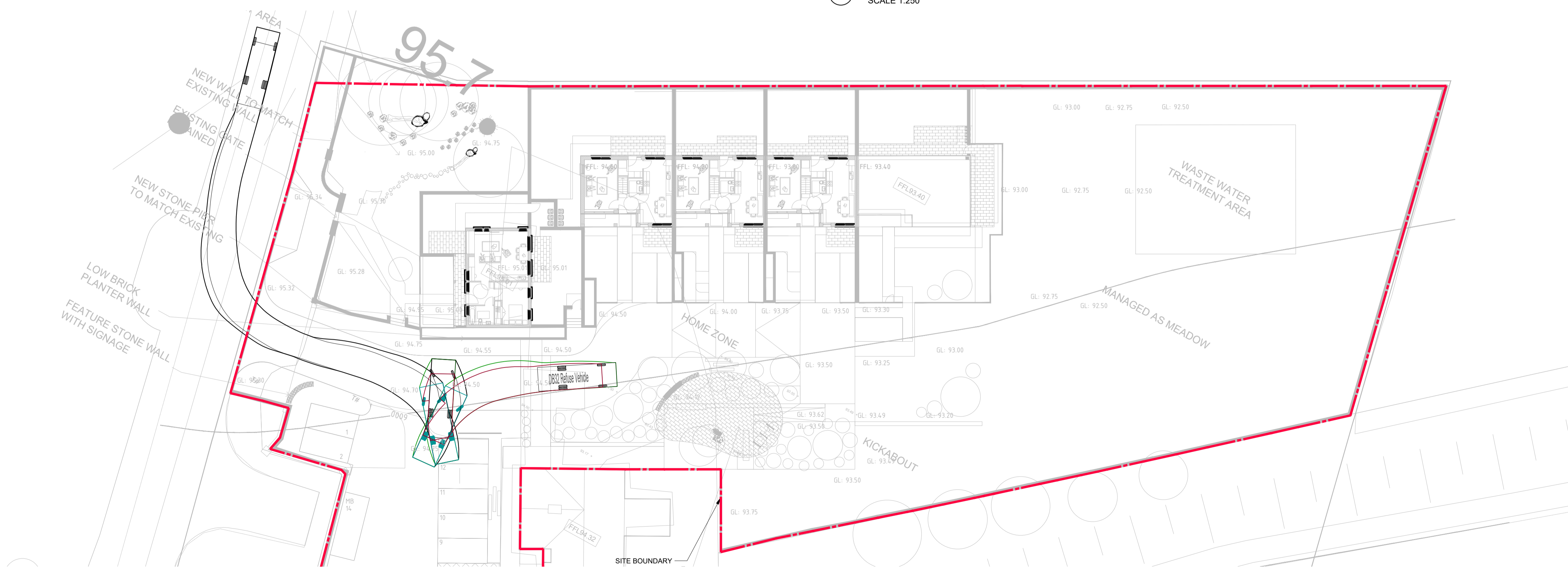
REFUSE TRUCK PROFILE  
NOT TO SCALE



DB32 Refuse Vehicle	7.900m
Overall Length	2.400m
Overall Width	3.183m
Overall Body Height	0.388m
Min Body Ground Clearance	2.400m
Max Track Width	6.00s
Lock to lock time	9.625m
Kerb to Kerb Turning Radius	



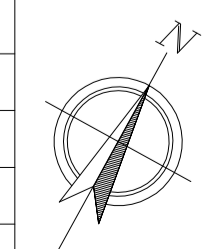
REFUSE TRUCK ENTERING SITE  
SCALE 1:250



REFUSE TRUCK LEAVING SITE  
SCALE 1:250

Drawing Stage:  
**PLANNING**

Project Details:	
Site Address:	CARBURY, Co. KILDARE
Client:	-
Architect:	DESA
M&E Designer:	-
Contractor:	-



Notes

Drawn by: BF	Checked by: KOM	Approved by: KOM	Date: 09/11/2023
Project Name: CARBURY HOUSING		Scale: A.S. @ A1	Project Number: 2316
Drawing Title: AUTOTRACK SHEET 02	Project: CAR	Originator: CORA	Zone: ZZ

**CORA**  
CONSULTING ENGINEERS

Behan House,  
10 Lower Mount Street,  
Dublin 2. D02 HT71  
Tel: +353 1 661 1100  
e-mail: info@cora.ie  
Web: www.cora.ie

Level:	Type:	Discipline:	Drawing No:	Stage:	Revision:
XX	DR	C	0022	PL	2