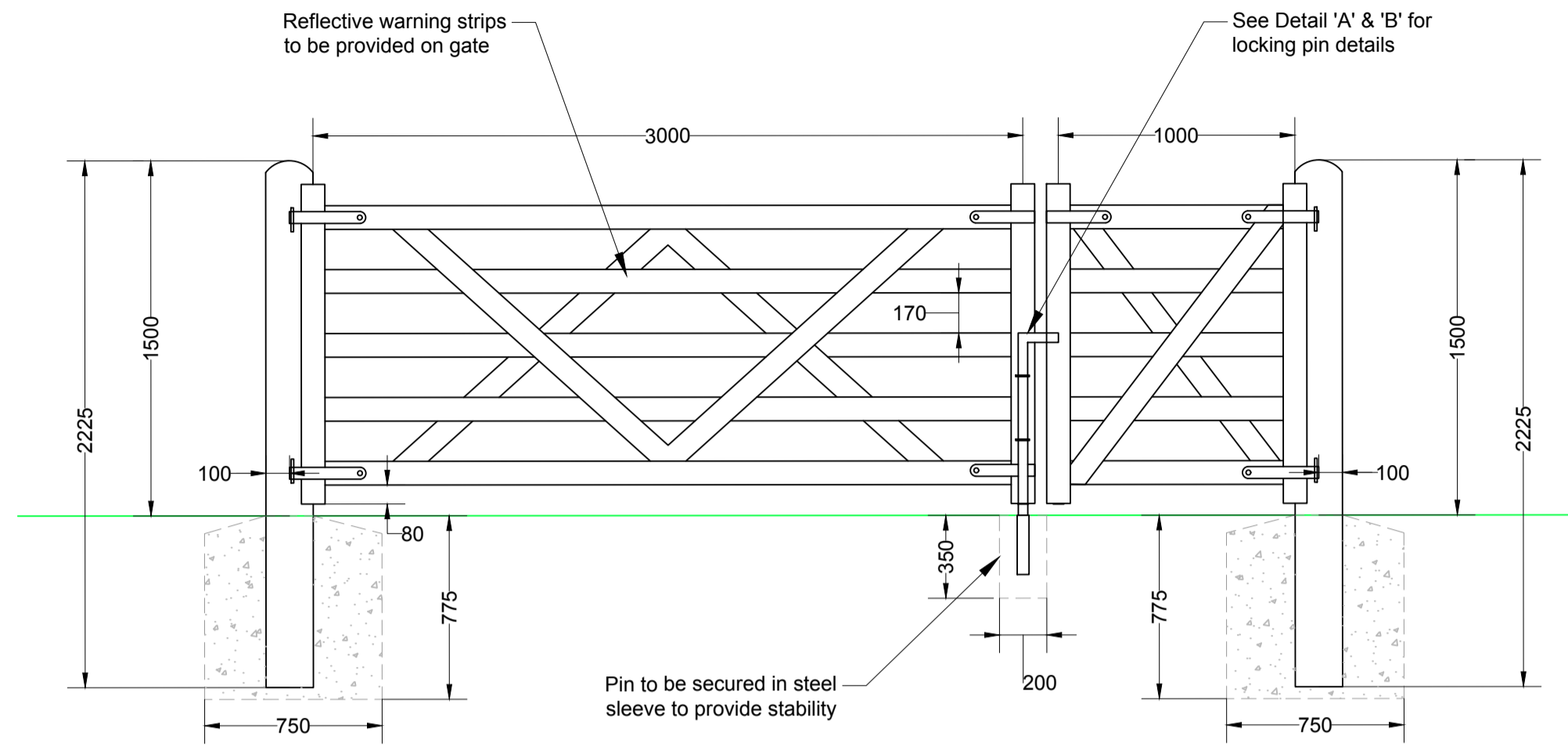


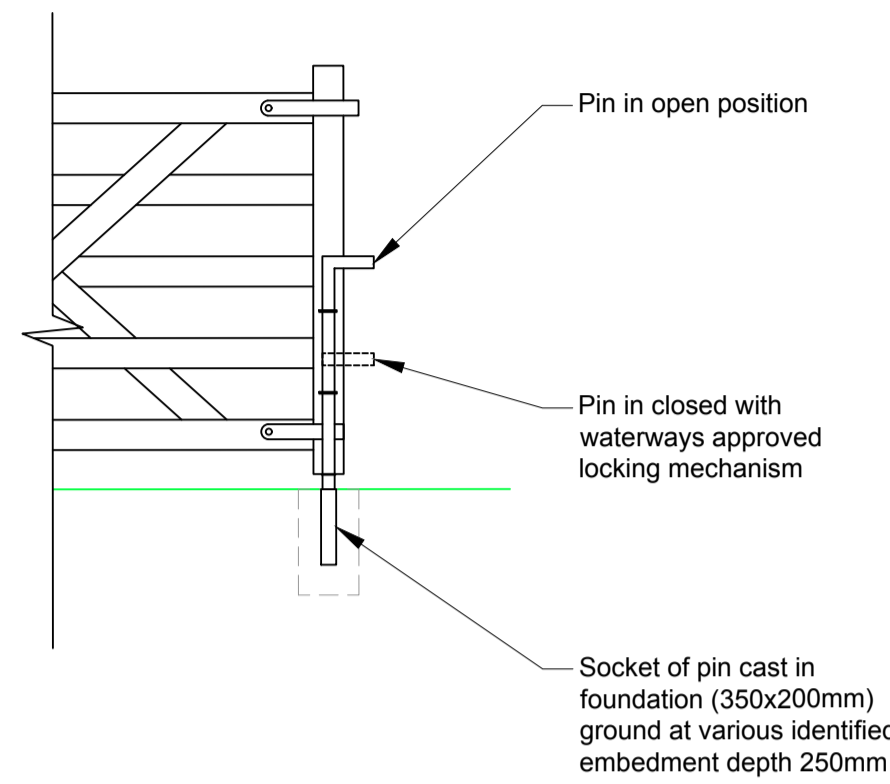
All details are for Part 8 submission only, and are subject to future design at construction stage.



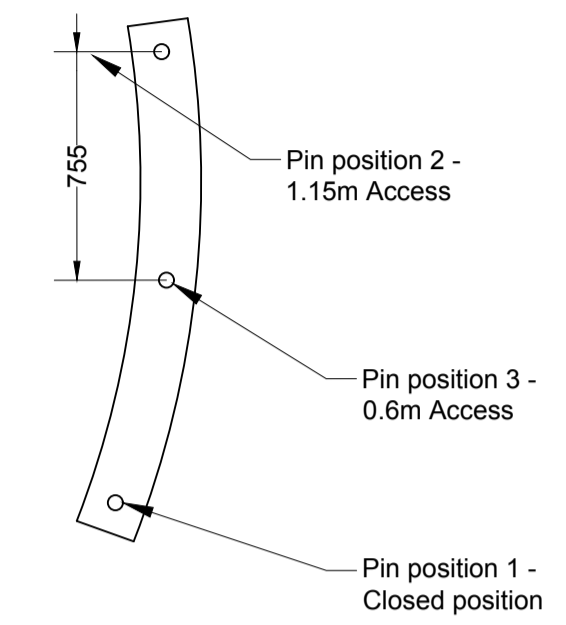
Typical Access Control Gate

DESCRIPTION OF TIMBER MATERIALS	SIZE
Hanging Post	200 x 200 x 2225L
Shutter Post	175 x 175 x 2225L
Hanging Style	100 x 100
Shutter Style	100 x 100
Top Rail	100 x 125
Under Rail	75 x 38
Braces, Housed in Top Rail	75 x 25

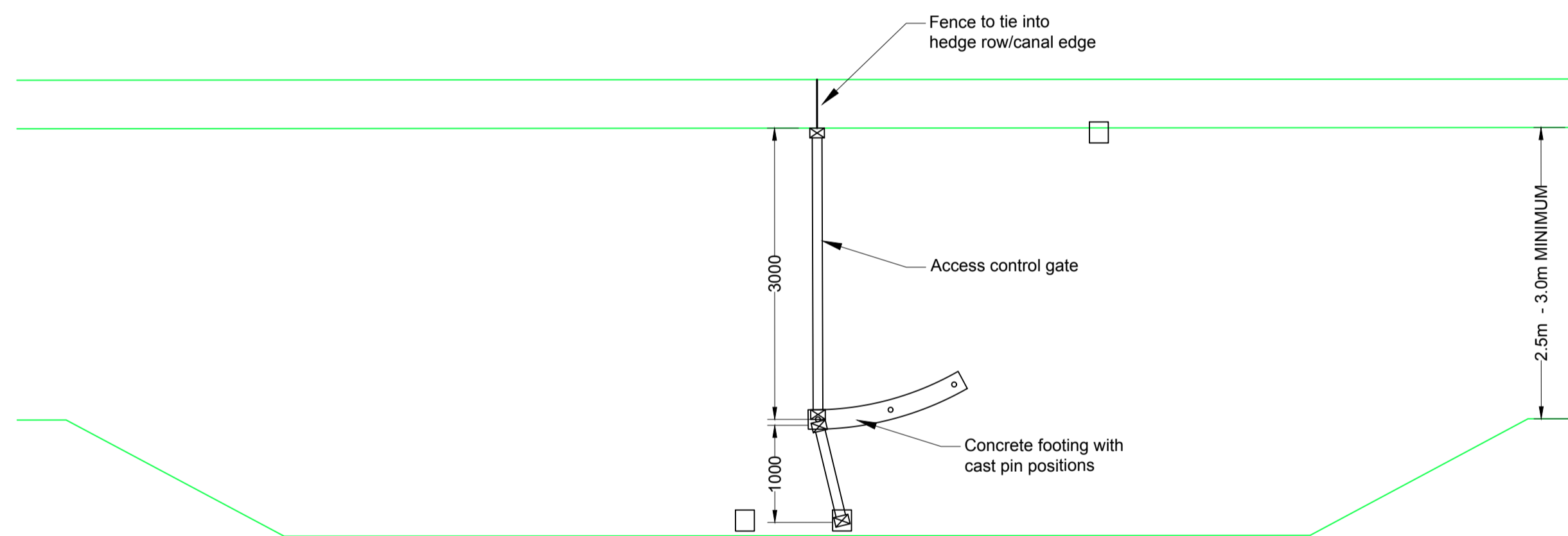
- NOTES:
- All Dimensions in millimeters.
  - Gates shall comply with appropriate clauses in the 300 series.
  - All through tendons shall be pegged with 13Ø oak dowels.
  - For details of fittings for hangings and fastening see RCD/300/13 & RCD/300/14.
  - The gate shall be hung as shown for self closing with self latching stop post as shown on RCD/300/14.
  - Timber to be treated in accordance with 435.
  - Locking system to be approved by Waterways Ireland.



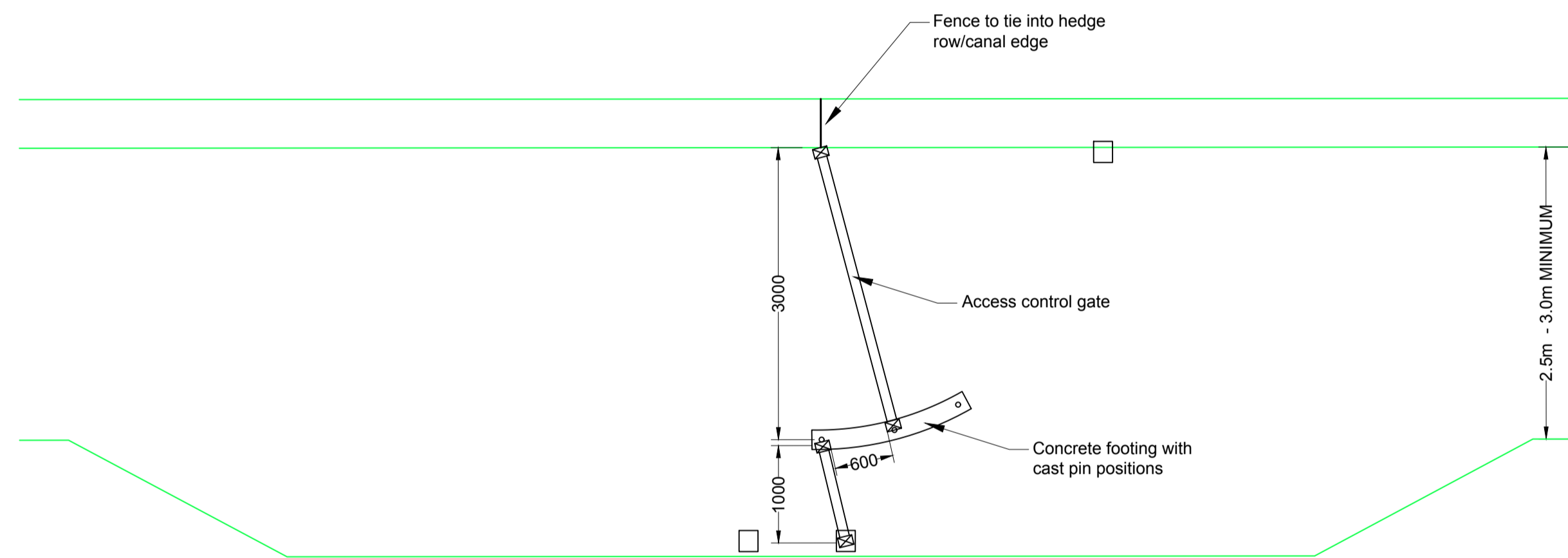
Detail 'A' Locking Pin



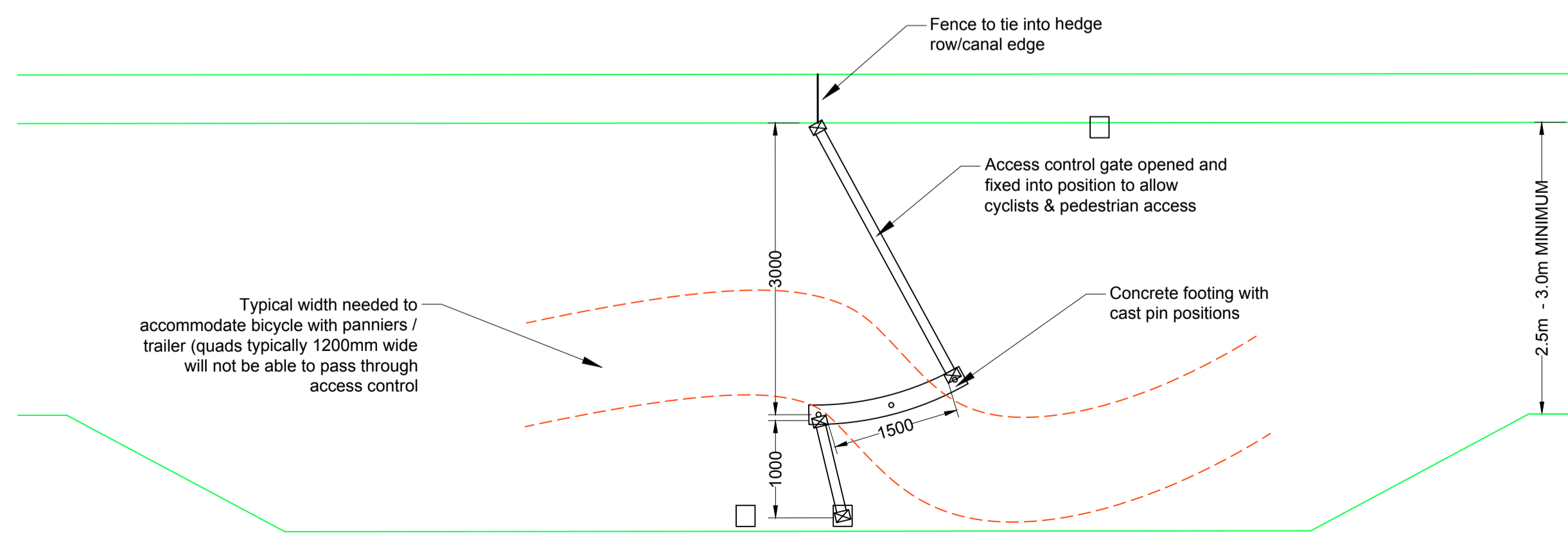
Detail 'B' Concrete Footing for Gate Pin



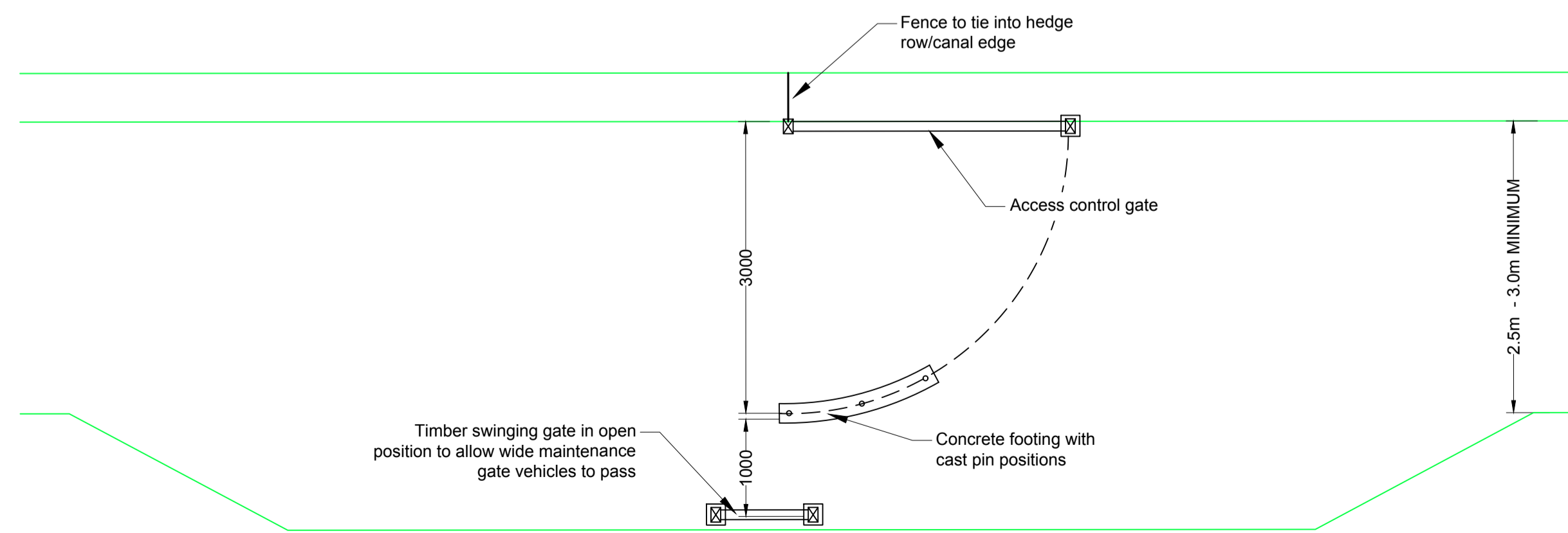
Position 1 Fully Closed



Position 2 0.6m Access Provided



Position 3 1.5m Access Provided



Position 4 Fully Open 3m Access for Maintenance

© Ordnance Survey Ireland. All rights reserved.  
Licence No.: 2004/07CCMA (Kildare County Council)

DESCRIPTION:	DATE	INT	REV

 **Kildare County Council**  
Planning Department  
Áras Chill Dara,  
Devoy Park, Naas,  
Co Kildare.

PROJECT:  
Proposed Grand Canal  
Cycle Route

TITLE:  
Access Control Gate Detail

SCALE:	PROJECT NO:	DRAWING NO:
1:500	GCP8CR	400/18/229
	DATE:	DRAWN BY:
	NOV 2018	EM
	CHECKED:	-