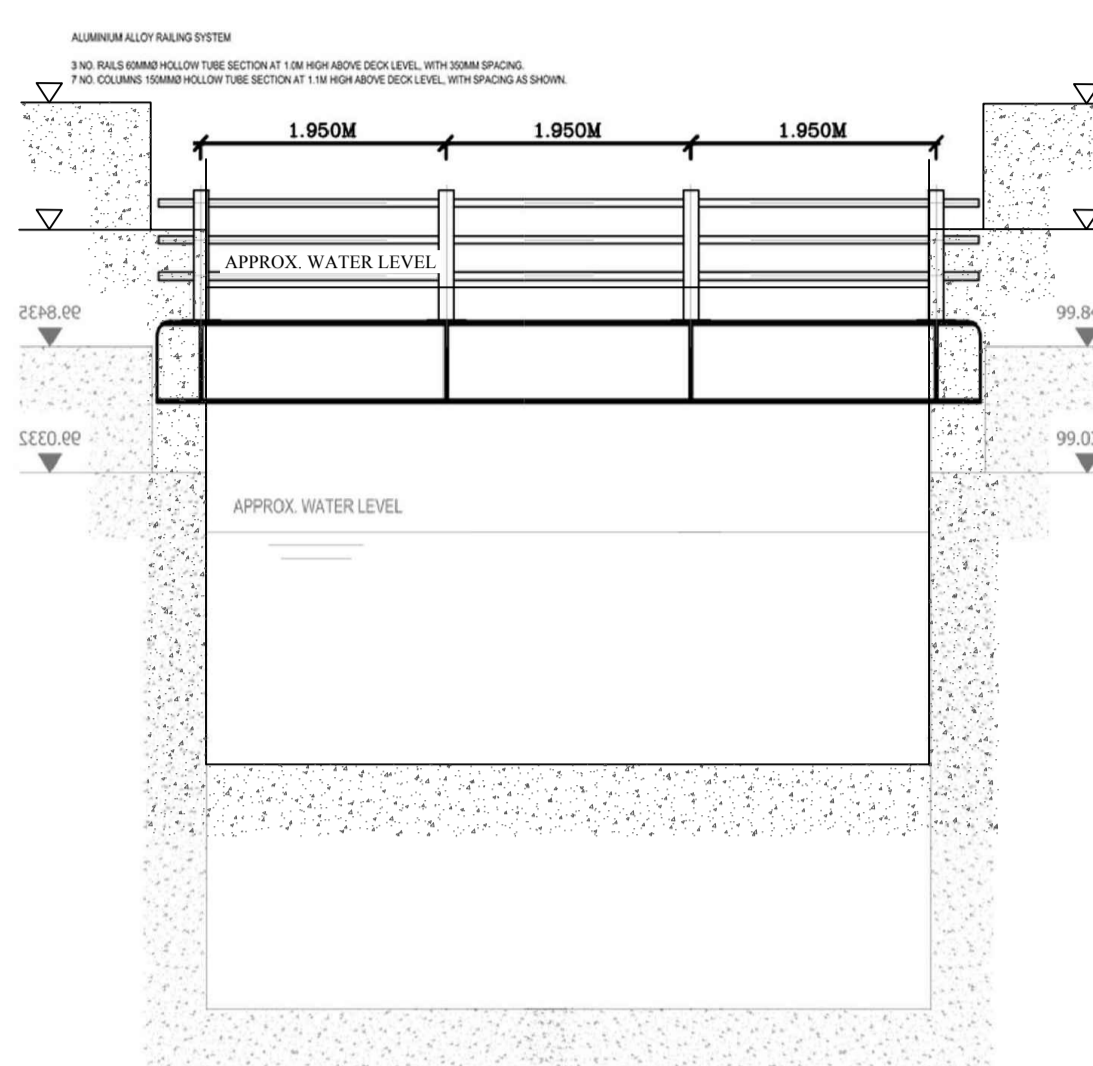


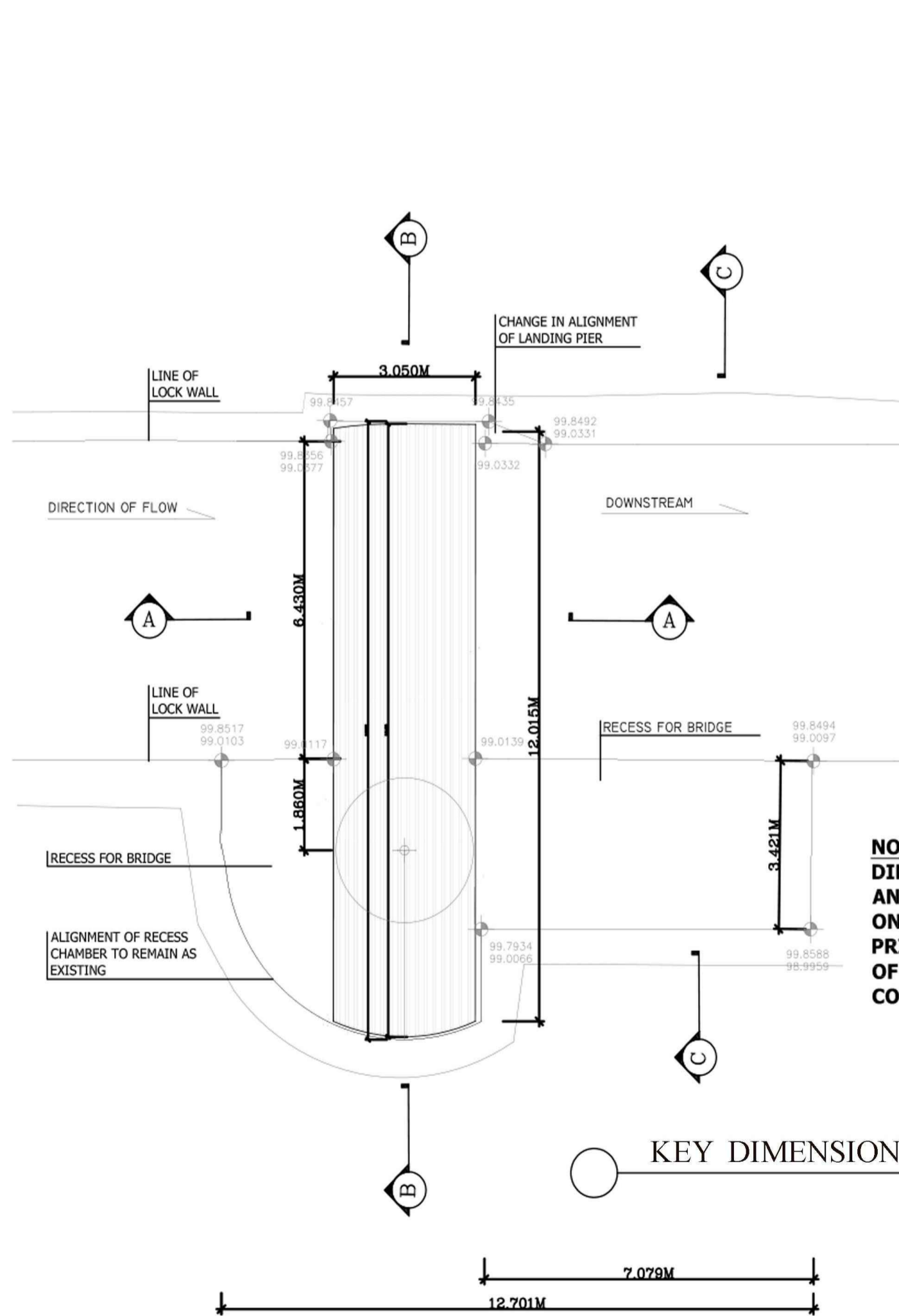
SECTION B-B LONGITUDINAL SECTION THROUGH BRIDGE

Scale: 1:20



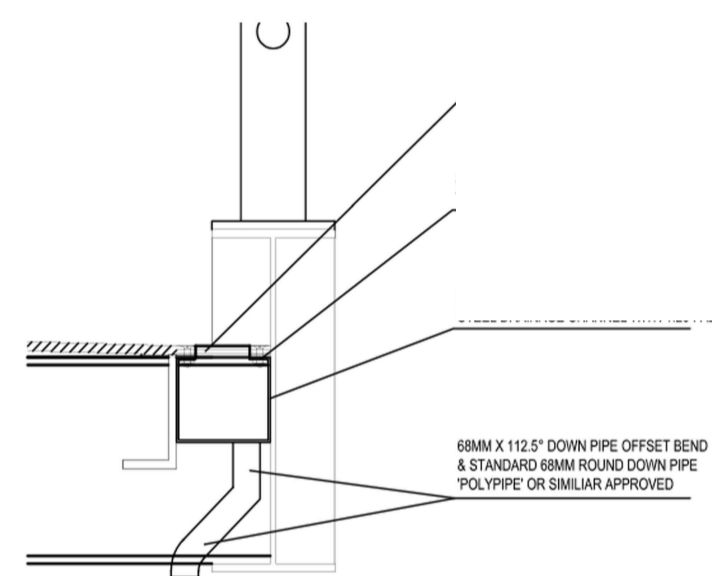
SECTION C-C LONGITUDINAL ELEVATION ON BRIDGE

Scale 1:50



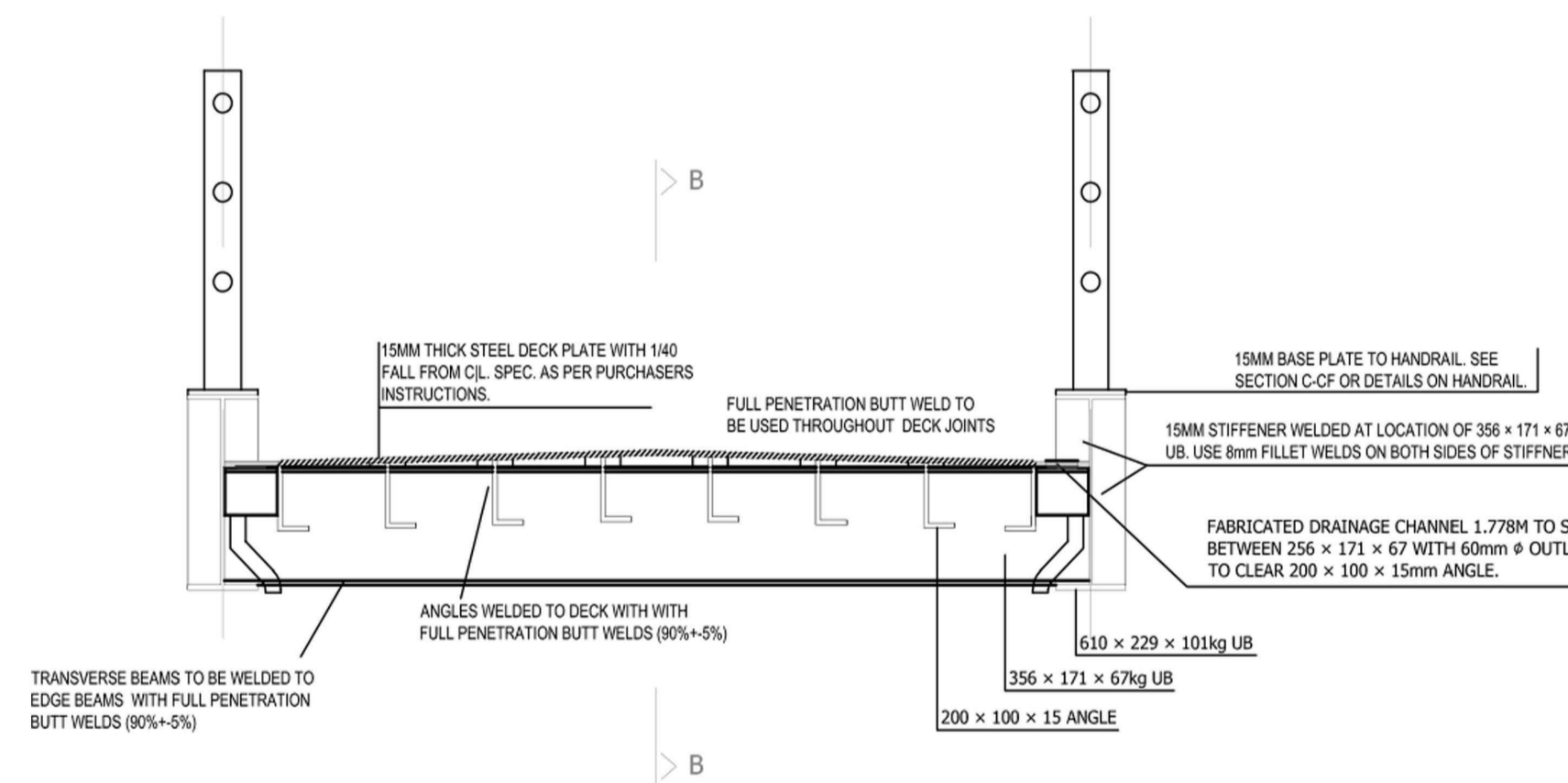
KEY DIMENSIONS

Scale 1:10



DRAINAGE DETAIL

Scale: 1:10



SECTION A-A CROSS SECTION THROUGH BRIDGE

Scale 1:20

All details are for Part 8 submission only, and are subject to future design at construction stage.

© Ordnance Survey Ireland. All rights reserved. Licence No.: 2004/07CCMA (Kildare County Council)

DESCRIPTION: DATE INT REV

Kildare County Council Planning Department
 Áras Chill Dara,
 Devoy Park, Naas,
 Co Kildare.

PROJECT:
 Proposed Grand Canal
 Cycle Route

TITLE:
 Swing Bridge Detail

SCALE: NTS	PROJECT NO: GCP8CR	DRAWING NO: 400/18/382
DATE: NOV 2018	DRAWN BY: M.Hafayed	CHECKED: L. Crawford